

**Cobra** **FTe**



**INSTRUCTION MANUAL**  
& REFERENCE GUIDE



Welcome to the Serpent owners network !

By buying the Cobra GTe, you have become part of the fast growing base of Serpent drivers around the world, active in most classes of rc car racing. Serpent racers share their knowledge and experiences on the tracks and on the internet, so join in!

The Serpent Cobra GTe is a high-end racing car, for competition purposes. The Serpent Cobra GTe offers state of the art specifications and leads the way in 1/8 electric on-road chassis design, using all the knowledge our designers have gathered from racing on-road cars for over 30 years, into this design too. Continuously pushing the performance envelope. Designed, tested and raced by Billy Easton, USA. World Champion.

All information about the Serpent Cobra GTe is accessible from the Serpent Cobra GTe product page which can be found on **Serpent.com** and can be accessed by simply typing **serpent.com/600040** into your web browsers address bar.

From the Serpent Cobra GTe product page you will find the very latest information about your car: reports by team drivers and other experts, tips and tricks, setups, image gallery and downloadable files including the latest version of the instruction manual is available as downloadable PDF-files.

Enjoy assembly, preparations and racing !

*Team Serpent*



#### CONTENTS

- 3. Safety / service / how to use manual
- 4. Differential assembly
- 5. Gearbox assembly
- 6. Chassis assembly
- 19. Clutch assembly
- 20. Radioplate assembly
- 22. Shocks assembly
- 24. Final assembly
- 26. Partslist
- 30. Exploded views

## Safety

Read and take note of the 'Read this First section' before proceeding to assemble the car-kit. This car-kit is intended for persons aged 16 or older.

## Customer service

Serpent has made a strong effort to make this manual as complete and clear as possible. Additional info may be published in our website:

[www.serpent.com](http://www.serpent.com) or you may ask your dealer or the Serpent distributor for advice, or email Serpent direct: [info@serpent.com](mailto:info@serpent.com)  
The Serpent Facebook, Twitter and Youtube pages give additional means of support and communications.

## Instructions, how to use

The kit includes bags, with bag numbers, which refer to the same step in the manual. Open only the indicated bag(s) per step and finish that part of the assembly. Remaining parts will be needed later on in the assembly process.

## Instructions

Serpent's long tradition of excellence extends to the instruction manuals, and this instruction manual is no exception. The easy-to-follow layout is richly illustrated with 3D-rendered full-color images to make your building experience quick and easy. Following the instructions will result in a well-built, high-performance race-car that will soon be able to unleash its full potential at the racetrack.

## SETUP

In certain assembly steps you need to make basic adjustments, which will give you a good initial setup for your Serpent S811-B. Fine-tuning the initial setup is an essential part of building a high-performance racecar like your S811-B.

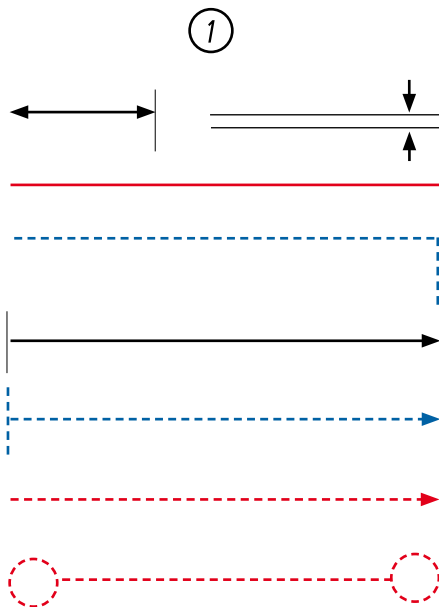
## Exploded views and partslist

The exploded views and parts lists for the Serpent S811-B are presented in the Reference Guide section in the back of this manual. The exploded views show all the parts of a particular assembly step along with the Serpent part number. The parts lists indicate the part number and name of each part for easy reference when ordering.

## Read this first!

- This is a highly technical hobby product, intended to be used in a safe racing environment. This car is capable of speeds in excess of 80 km/h or 50mph. Please follow these guidelines when building and operating this model.
- Parental guidance is required when the builder/user of this car is under 16.
- Follow the building instructions. If in doubt, contact your dealer or importer.
- Be sure to use the proper tools when assembling the car. Always exercise caution when using electric tools, knives and other sharp objects.
- Be careful when using liquids like lubrication oil, fuel or glue. Do not swallow.
- Follow the manufacturer's instruction in case you experience irritation after using the product.
- Be careful when operating the car. Stay away from any rotating parts such as wheels, gears and transmission. Stay away from motor, engine and exhaust pipe system or speedo during and immediately after use, as these parts may be very hot. We advise to use protective hand gloves.
- Only operate this car in a safe environment, like a special racing track or a closed parking lot. Avoid using this car on public roads, crowded places or near infants.
- Before operating this car, always check the mechanical status of the car. Also check that the transmitter and receiver frequencies correspond and are not used by any other racer at the same time. Check that the batteries of the transmitter and receiver- are fully charged.
- After use, always check all the mechanics of the car. We advise to clean the car immediately after use, and inspect the parts for wear or fractures. Replace when necessary. Do not use water, methanol, thinner or other solvents to clean the car.
- Empty the fuel tank (depending on model) if needed and disconnect the receiver battery.
- Store the car in a dry and heated place to avoid corrosion of metal parts.
- Avoid using this car in wet conditions as the water will cause corrosion on the metal parts and bearings and these parts will cease to function properly. If driven in the wet, ensure that all the electric equipment is waterproofed and after use, that all moving parts are dried immediately.

## USING THE MANUAL



Step number;  
the order in which you should assemble the indicated parts

Length after assembly / Gap between two items

Assembly path of one item into another

Group of items (within lines) should be assembled first

Direction the item should be moved

Glue one item to another

Press/Insert one item into another

Connect one item to another



Apply transmission grease (Grey)  
included



CA Glue\* (Red)  
NOT included



Threadlock\* (Blue)  
NOT included



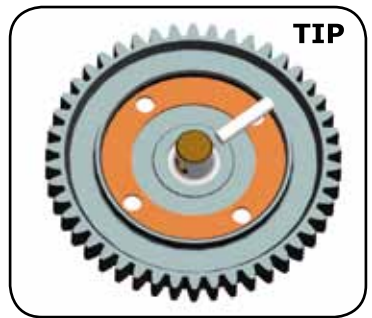
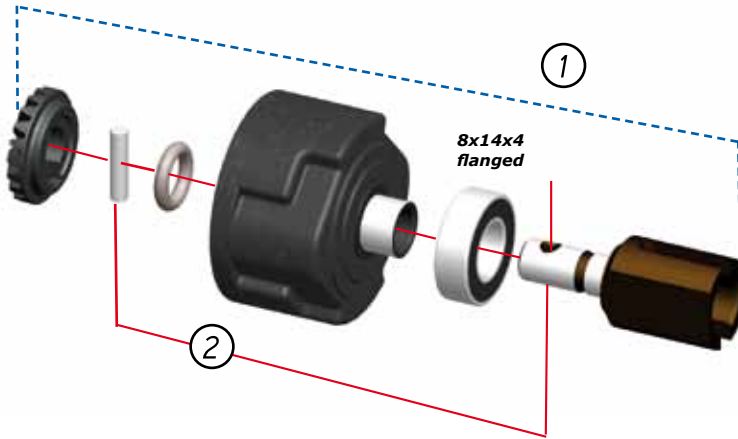
Apply silicone oil  
included

# DIFFERENTIAL CENTER

A

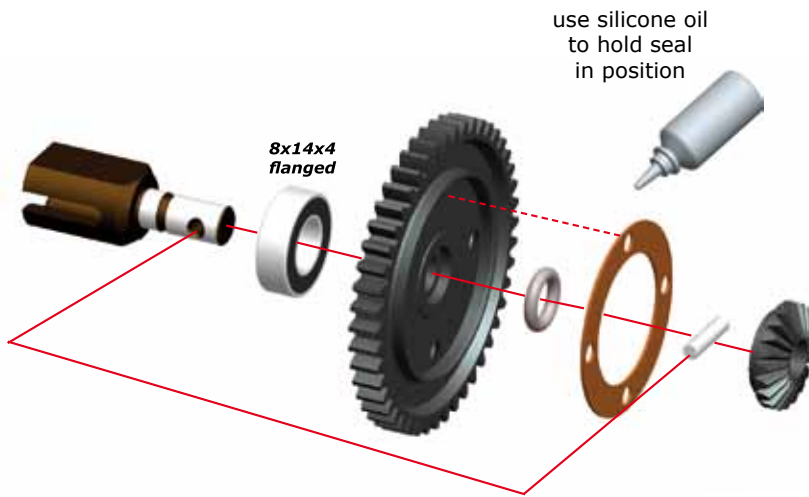
1

CENTER  
DIFF  
BAG



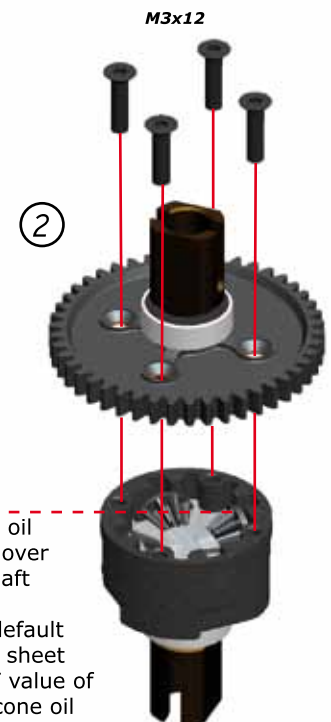
A

2



A

3



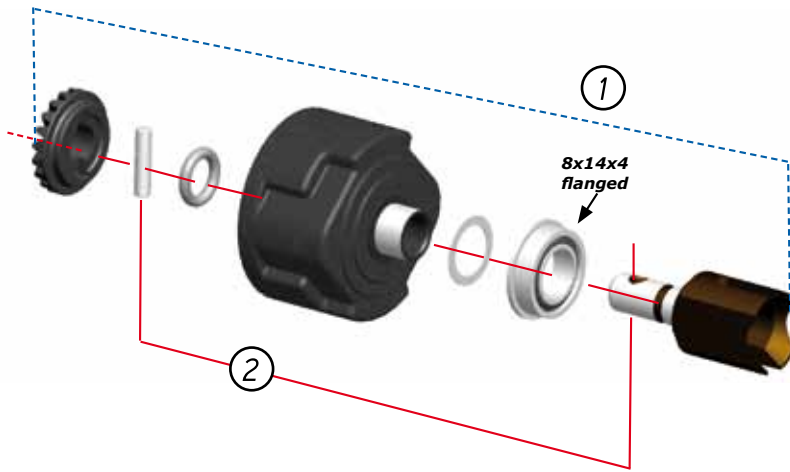
4

# DIFFERENTIAL FRONT/REAR

A

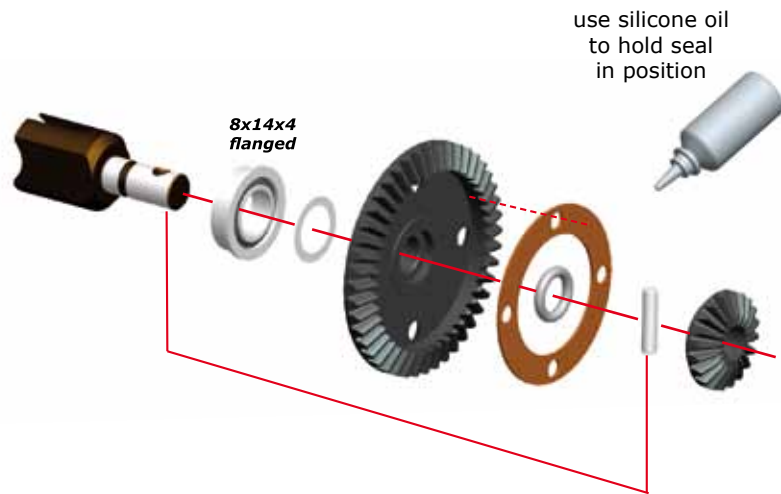
4

FR/RR  
DIFF  
BAG



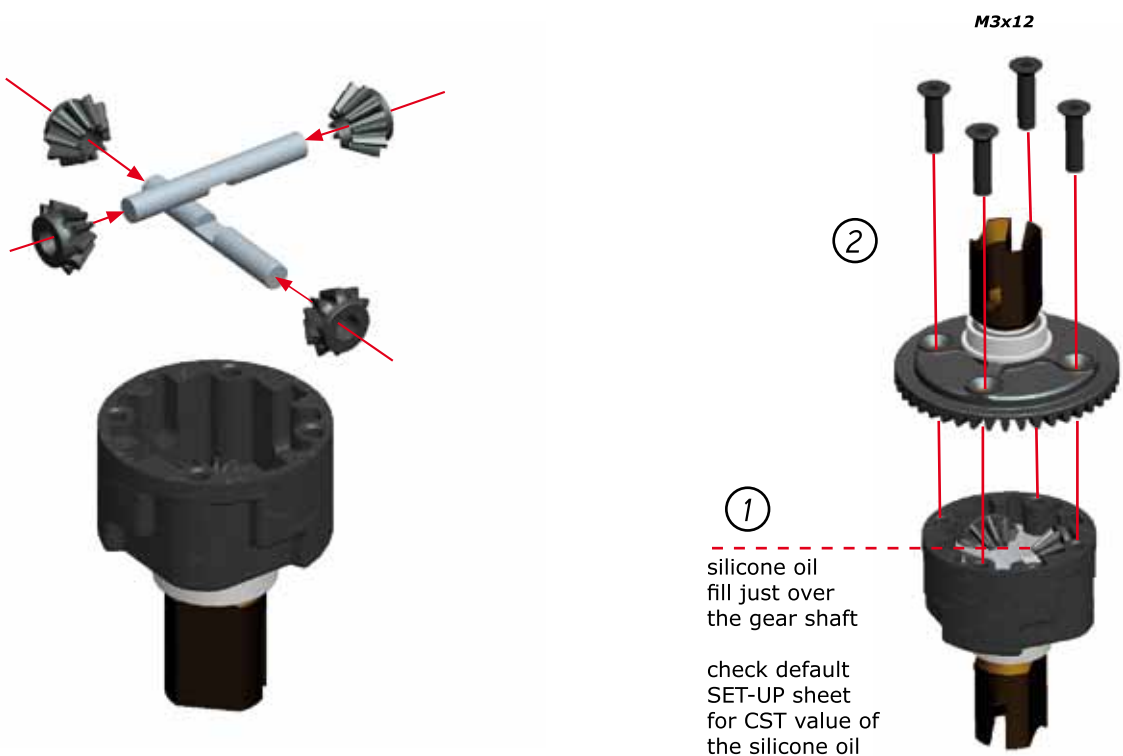
A

5



A

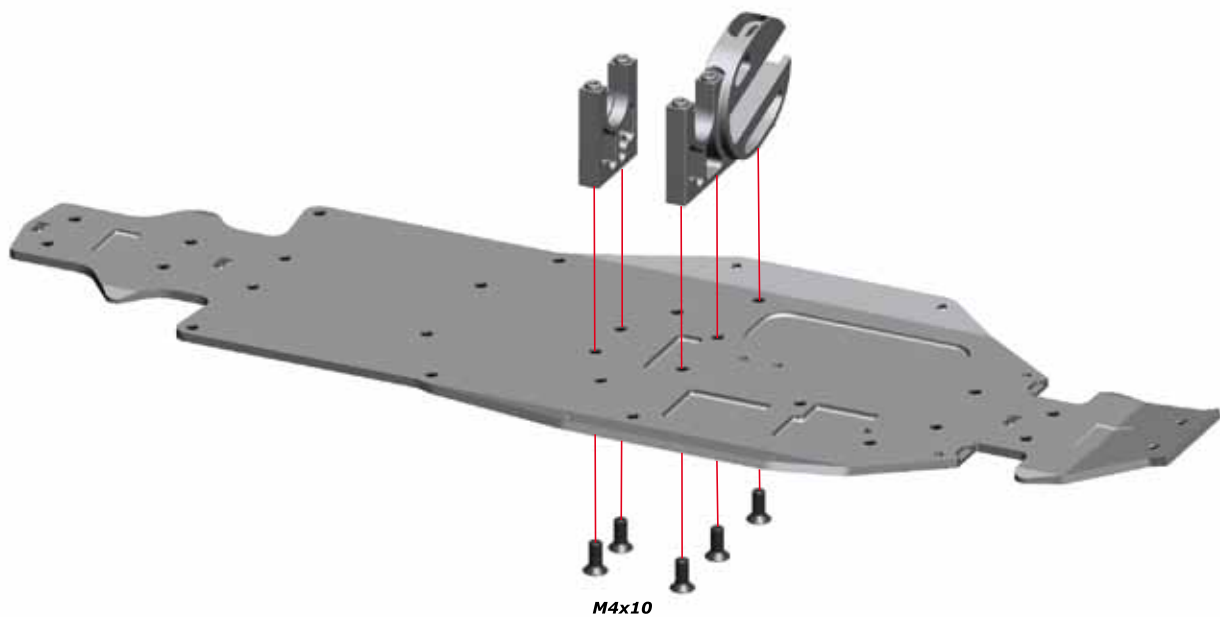
6



A CENTER DIFF MOUNT

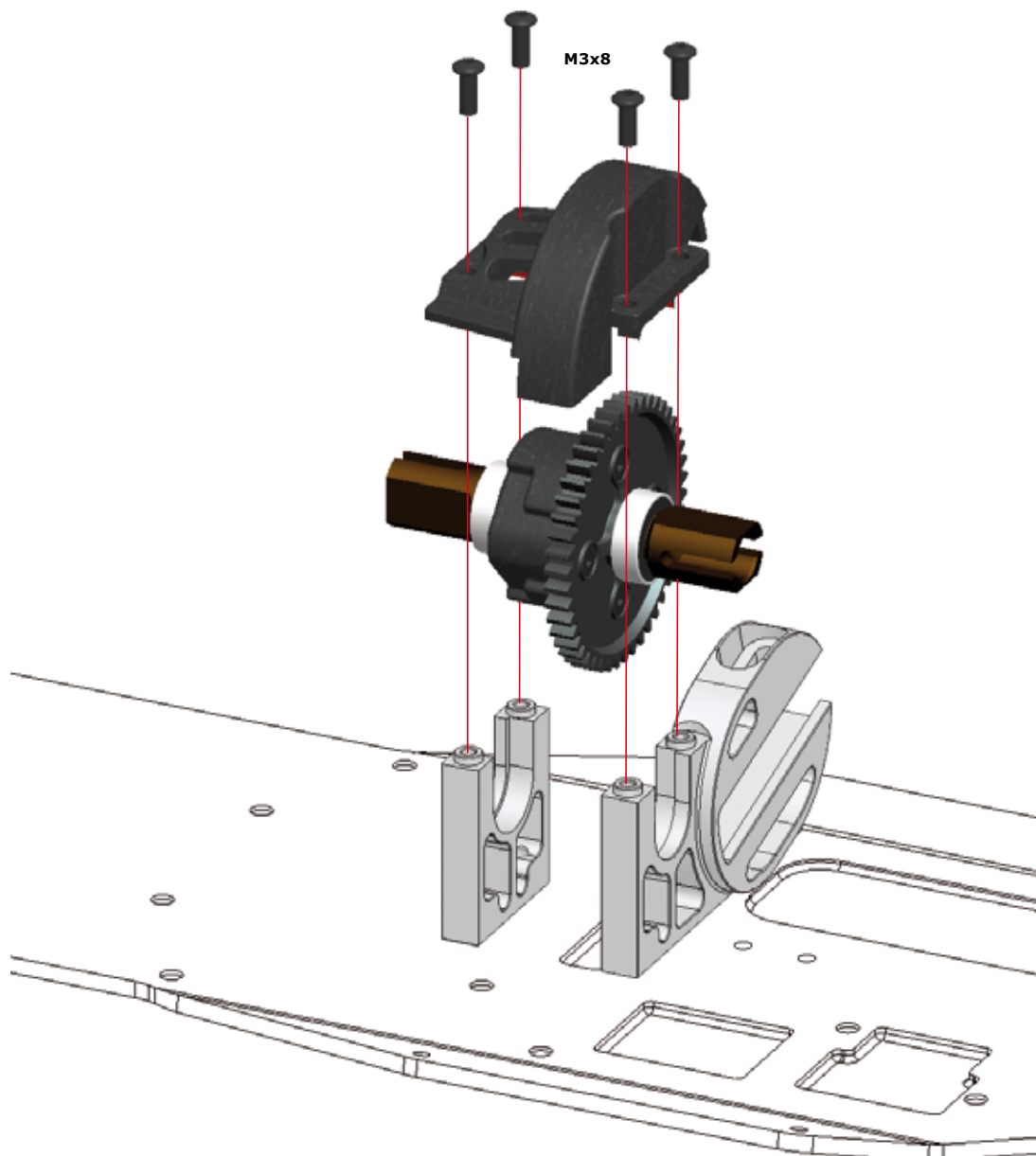
7

BAG  
1



A

8

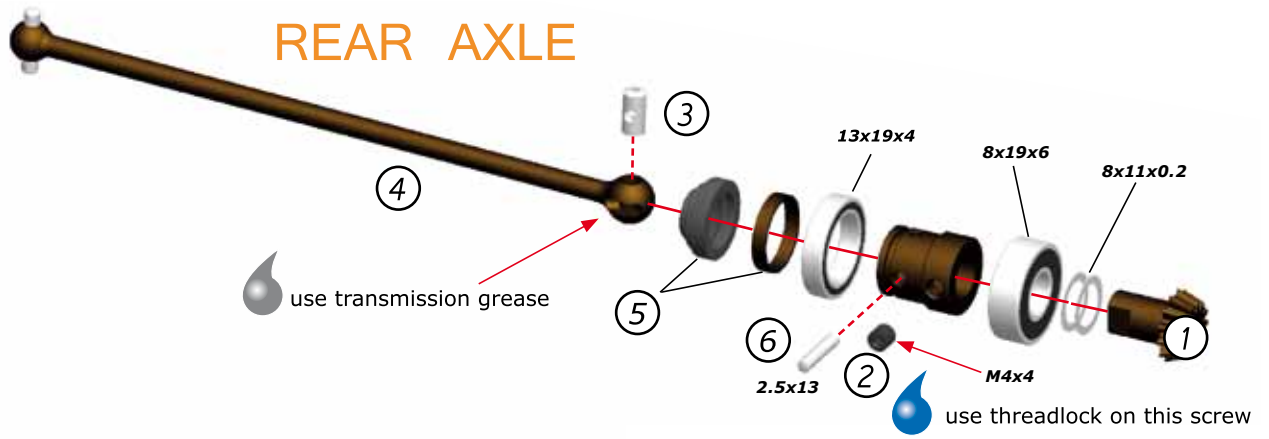


# REAR AXLE

A

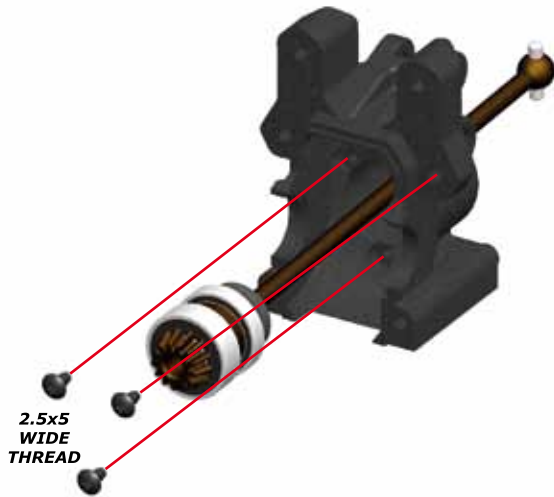
9

BAG  
2



A

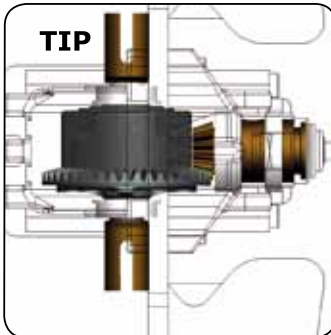
10



A

11

Use 14x15.6x0.2  
shims to adjust  
the proper gear mesh

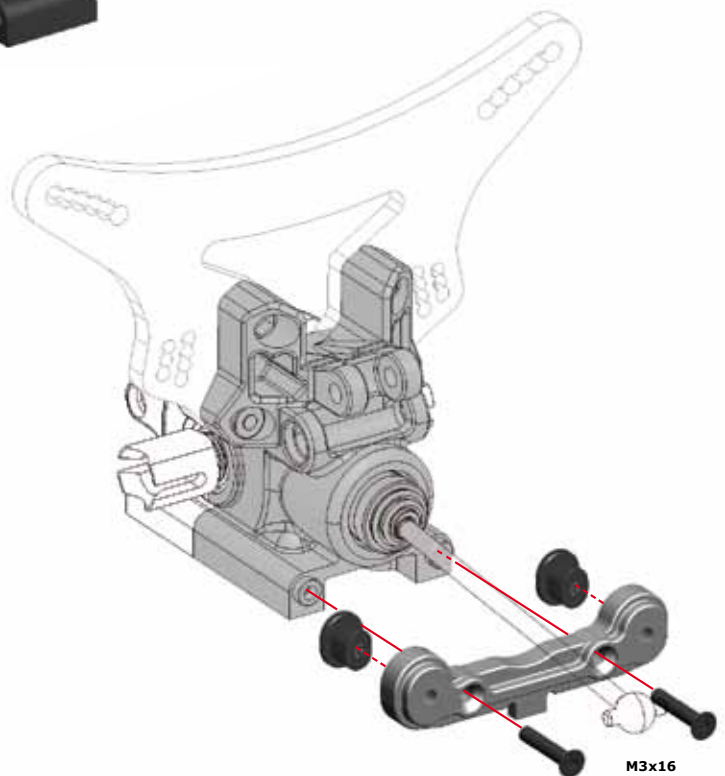


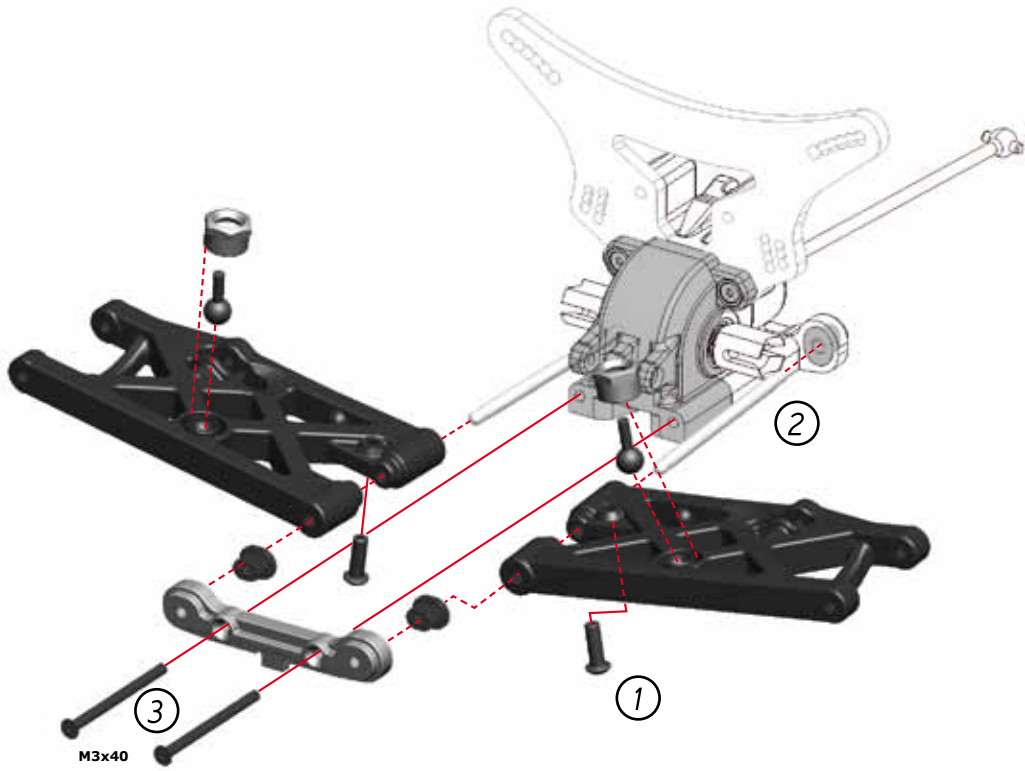
A

12

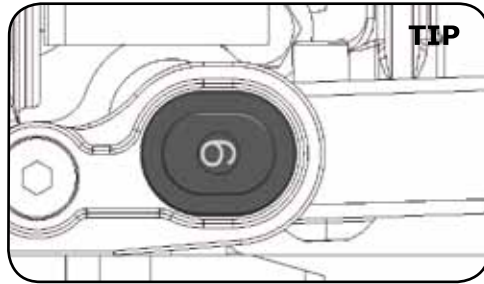


7

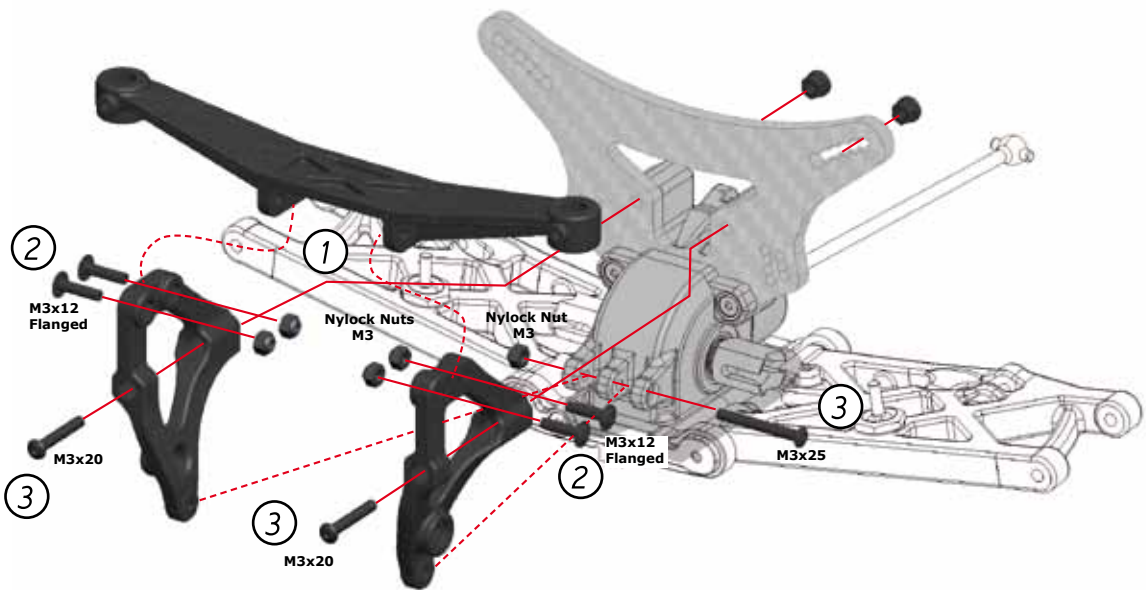
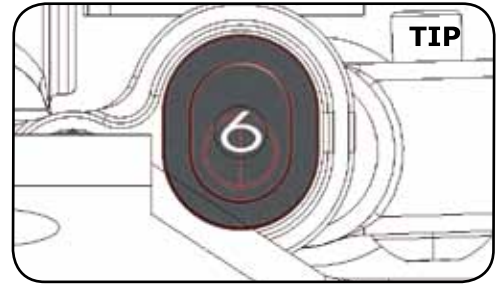




proper insert orientation in the rear bracket, left and right equal type



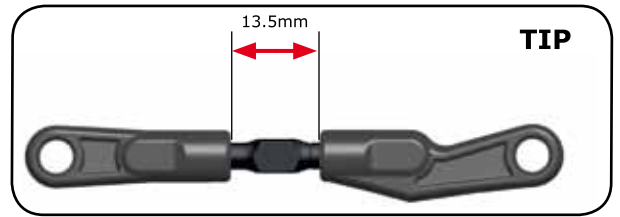
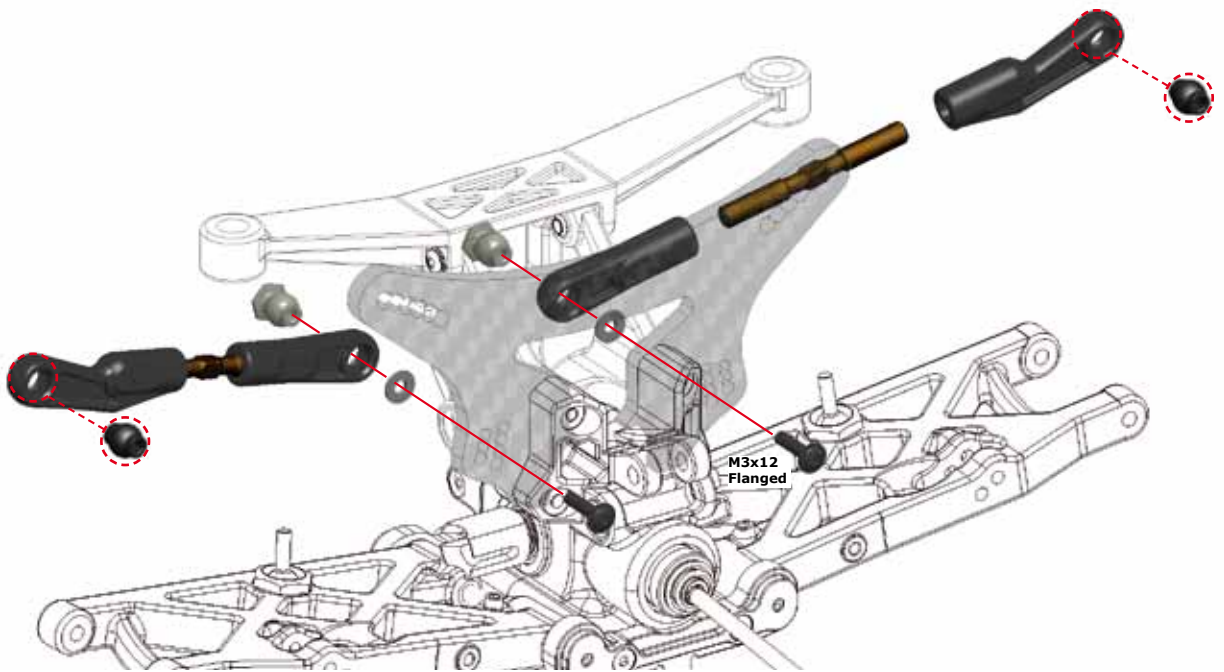
proper insert orientation in the front bracket, left and right equal type





A

15

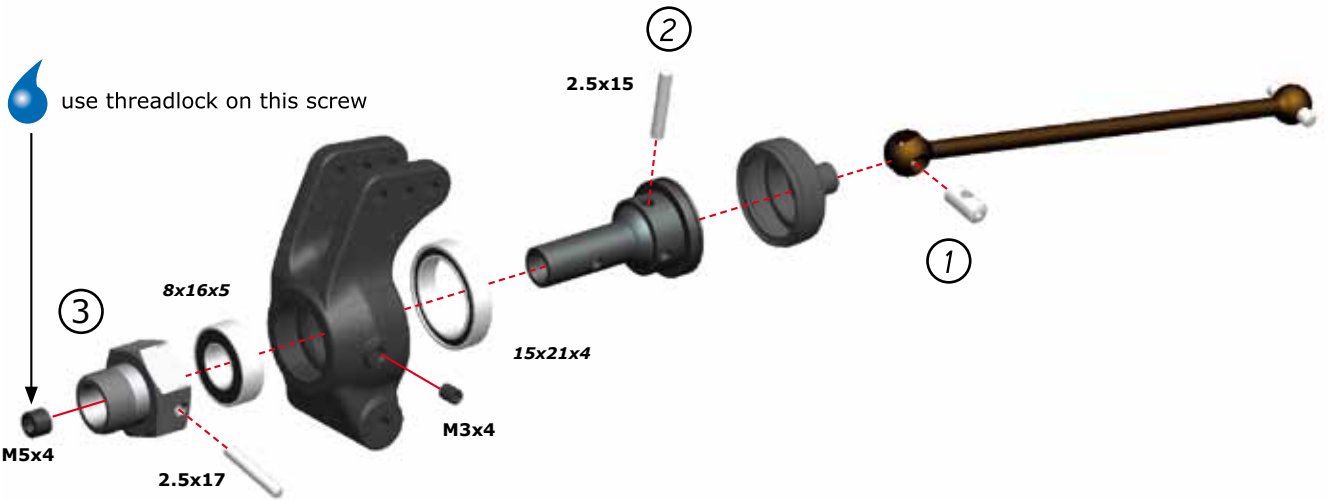


A

16A

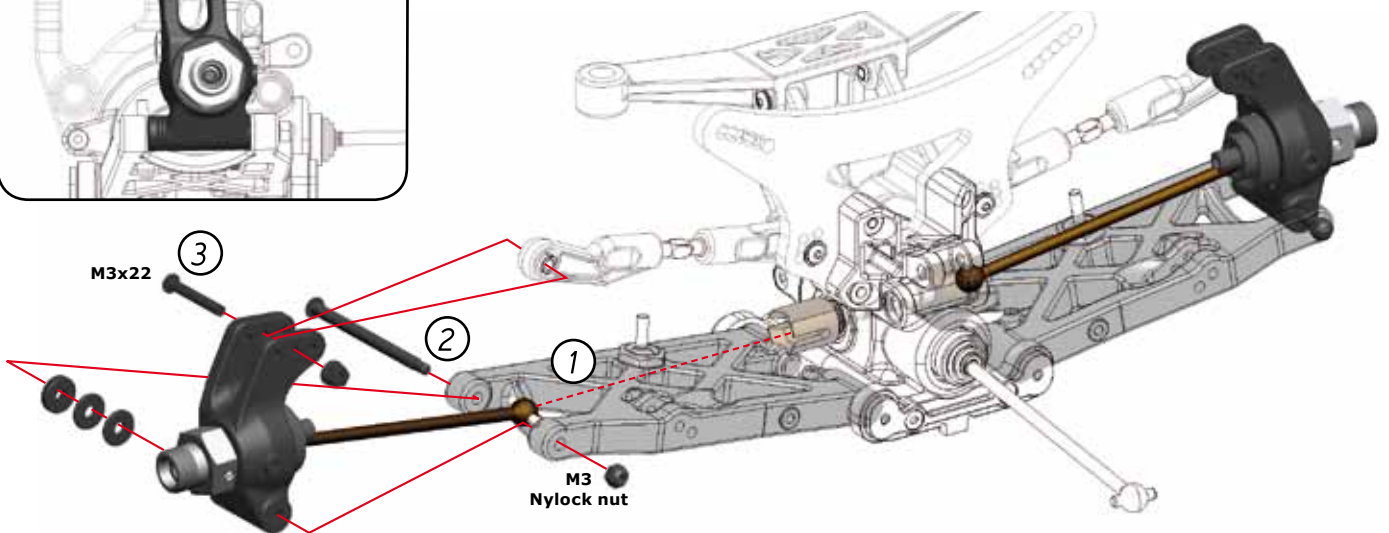
BAG

4



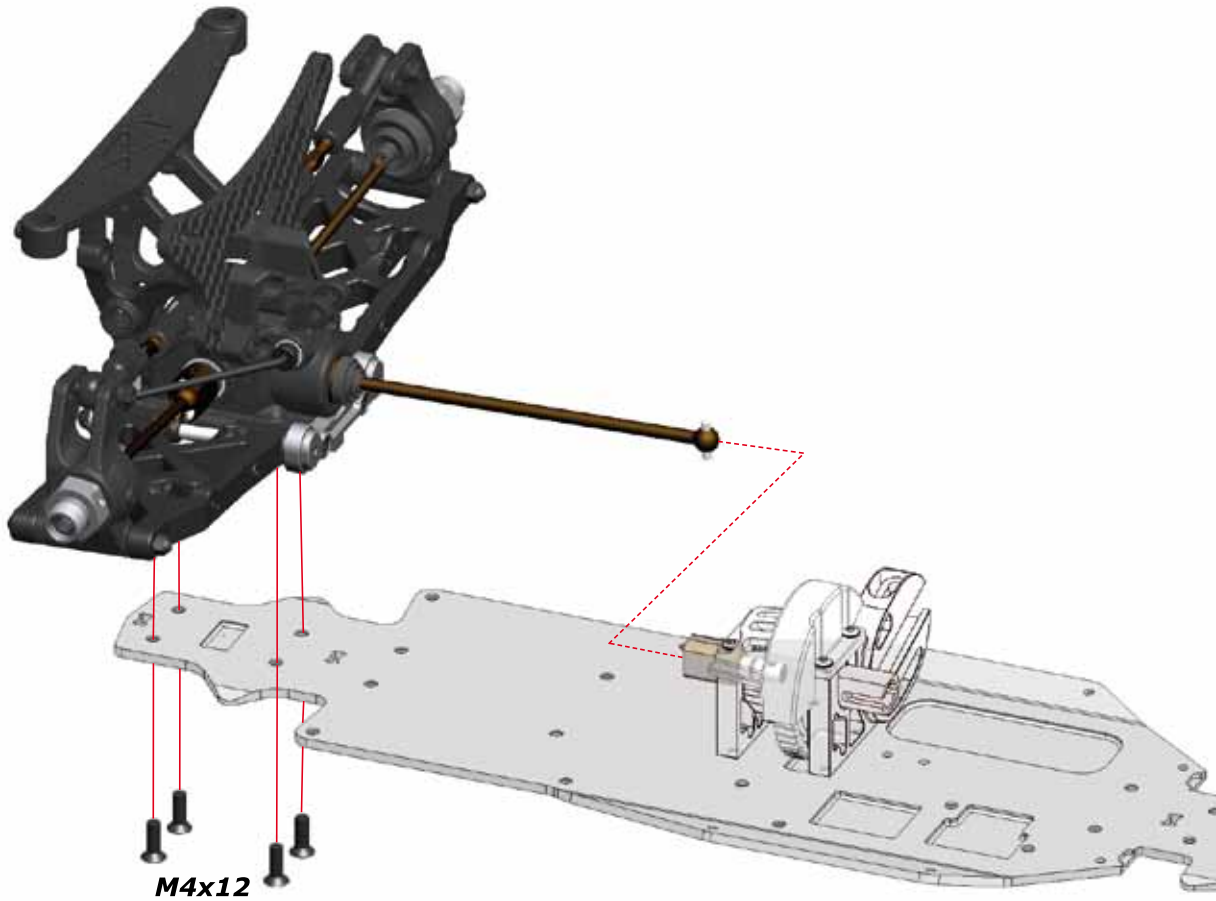
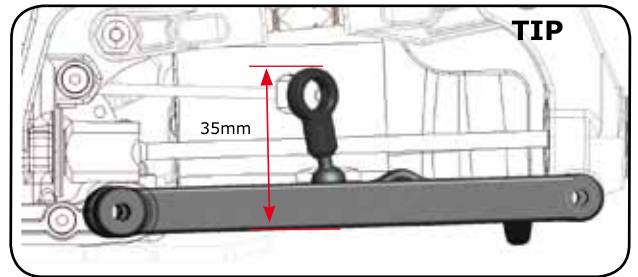
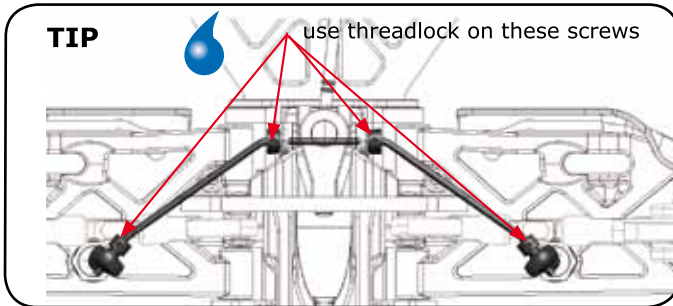
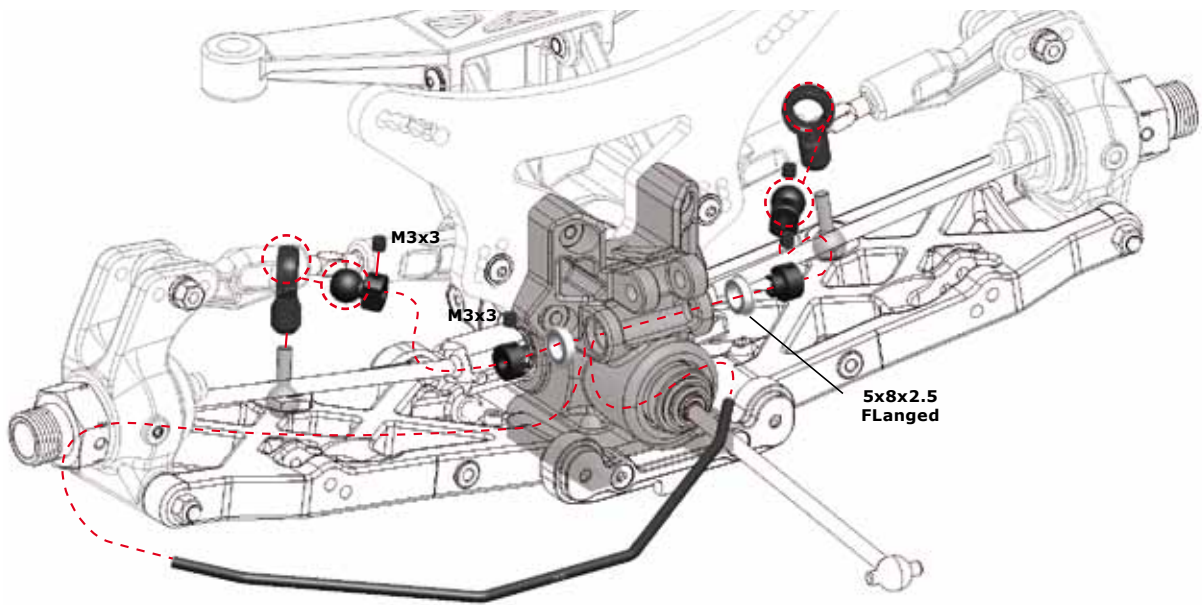
A

16B



Cobra

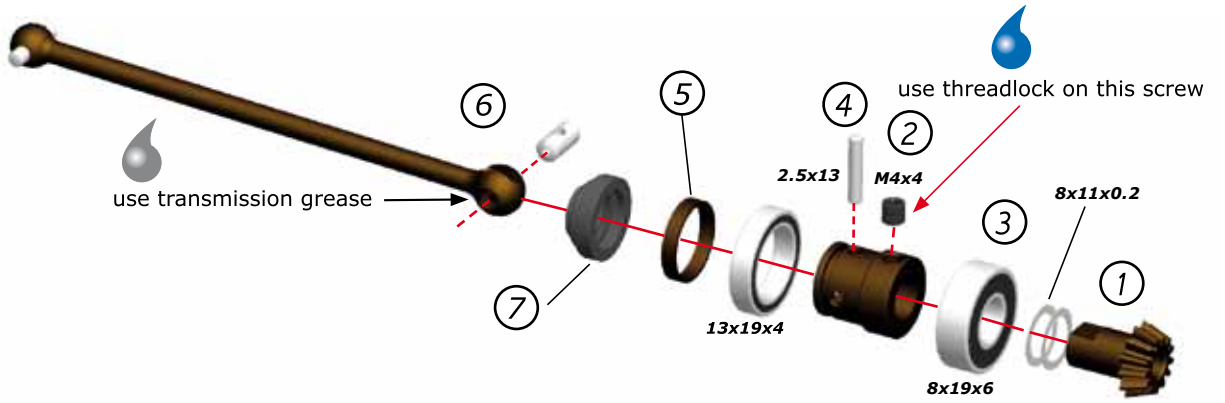
9



A

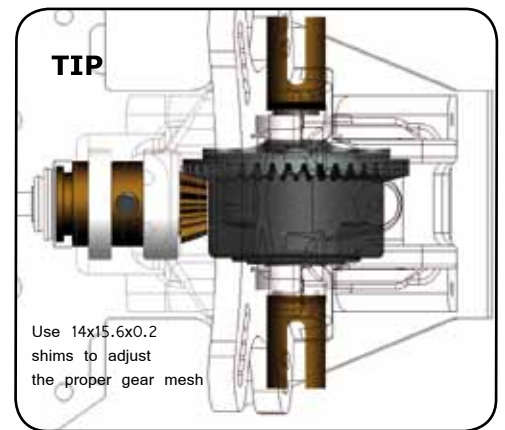
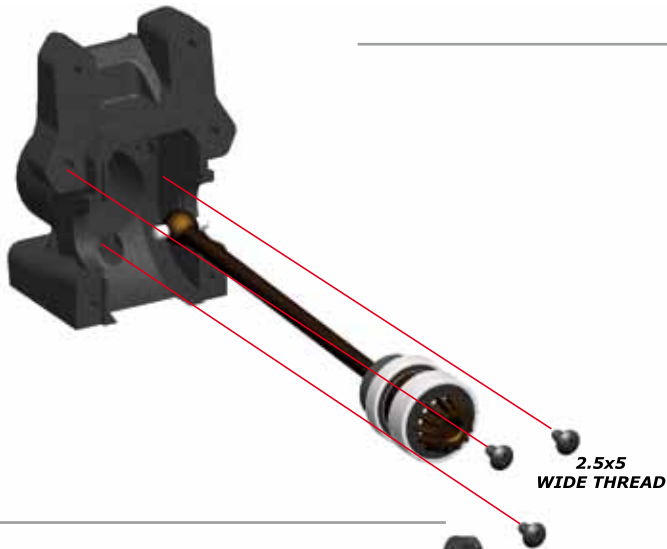
19

BAG  
5



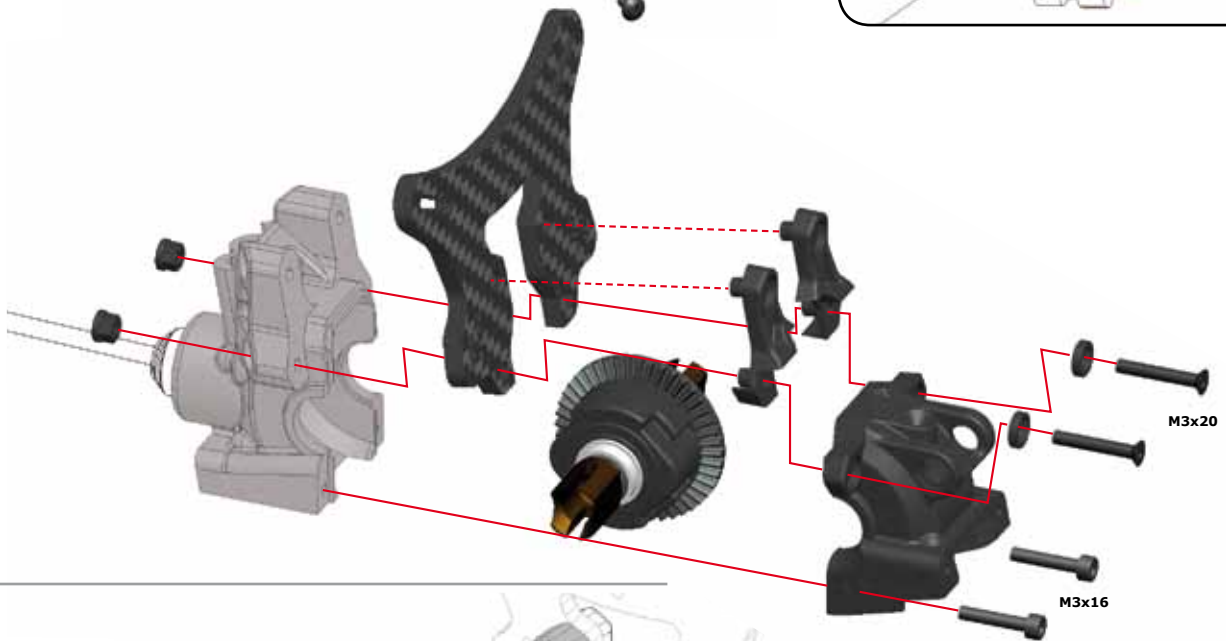
A

20



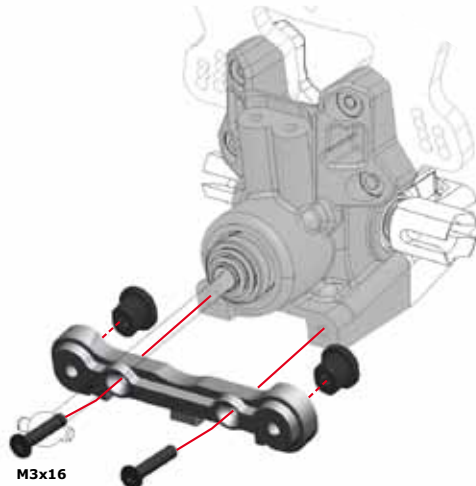
A

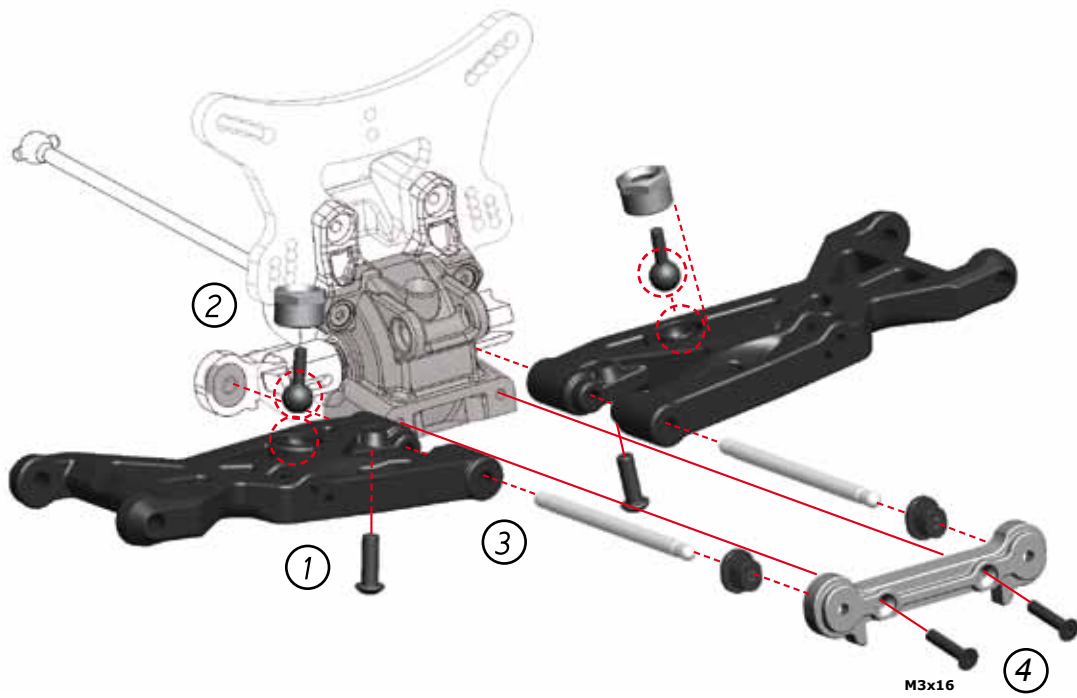
21



A

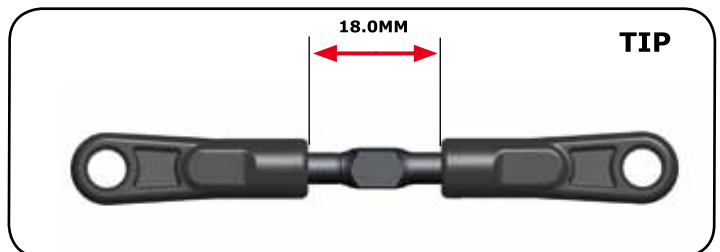
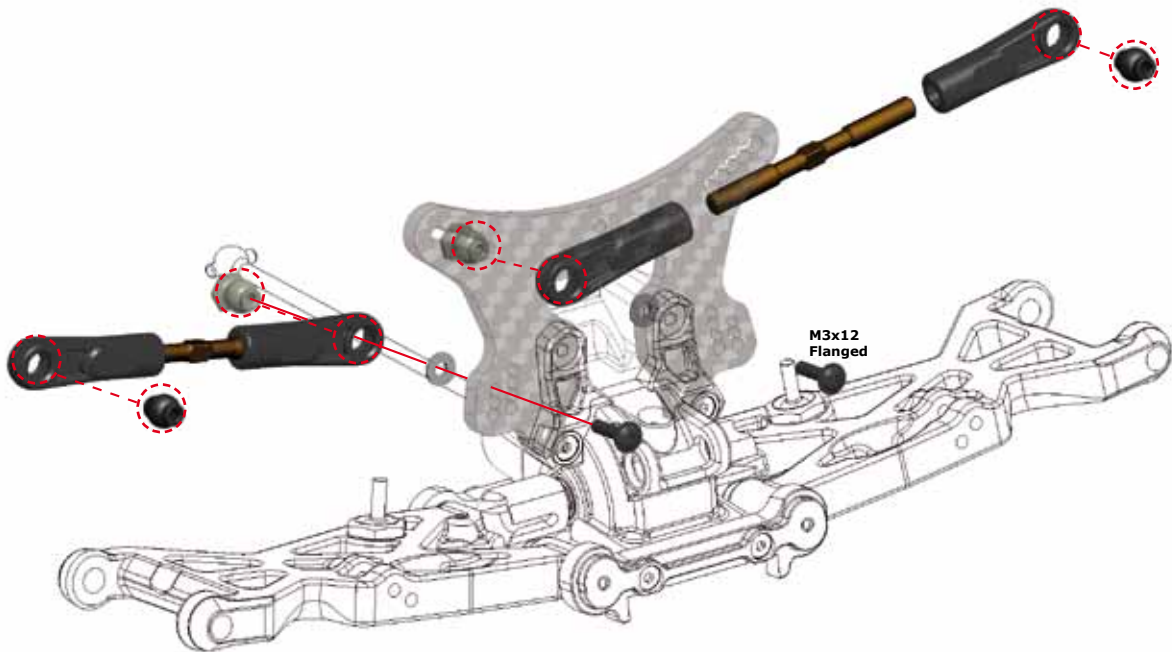
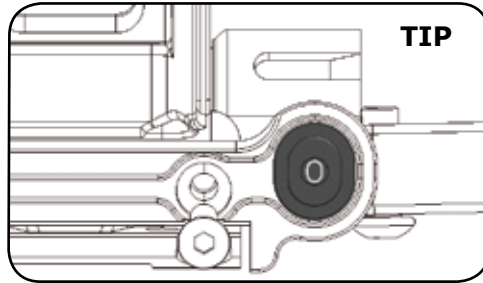
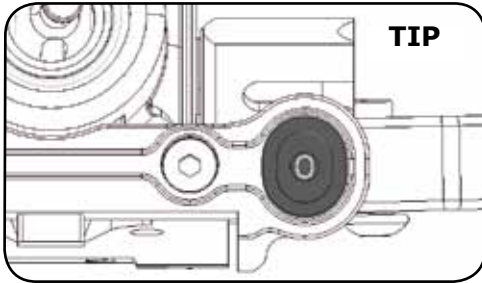
22

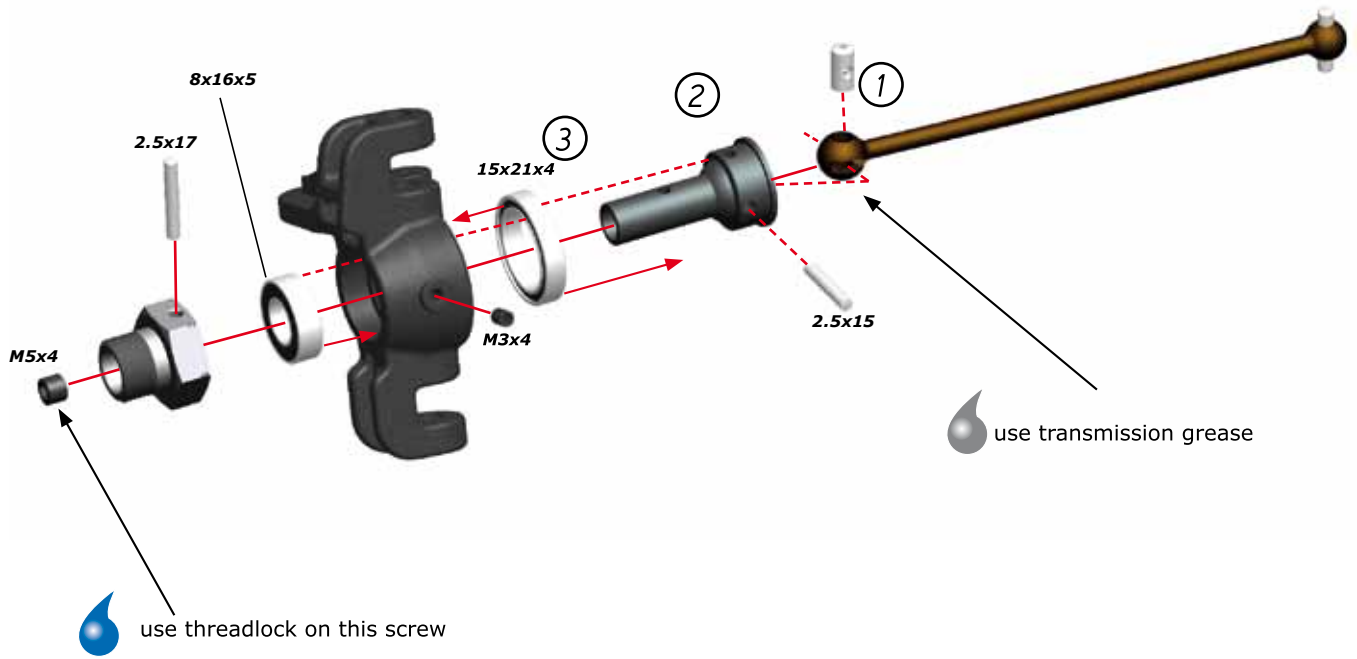




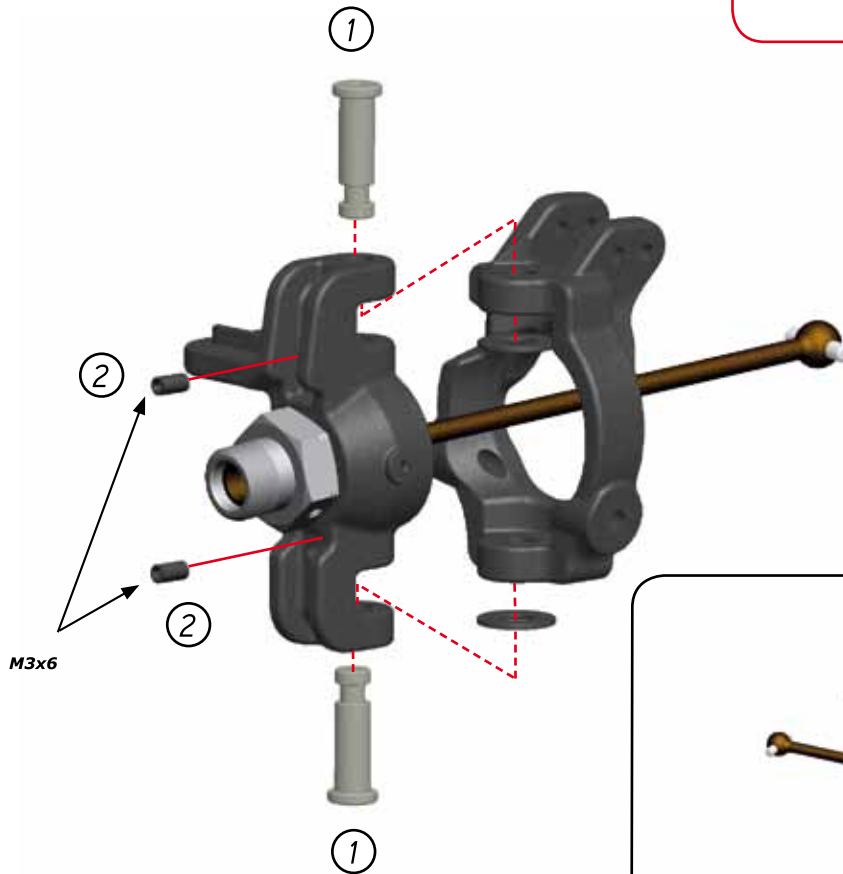
proper insert orientation in the rear bracket

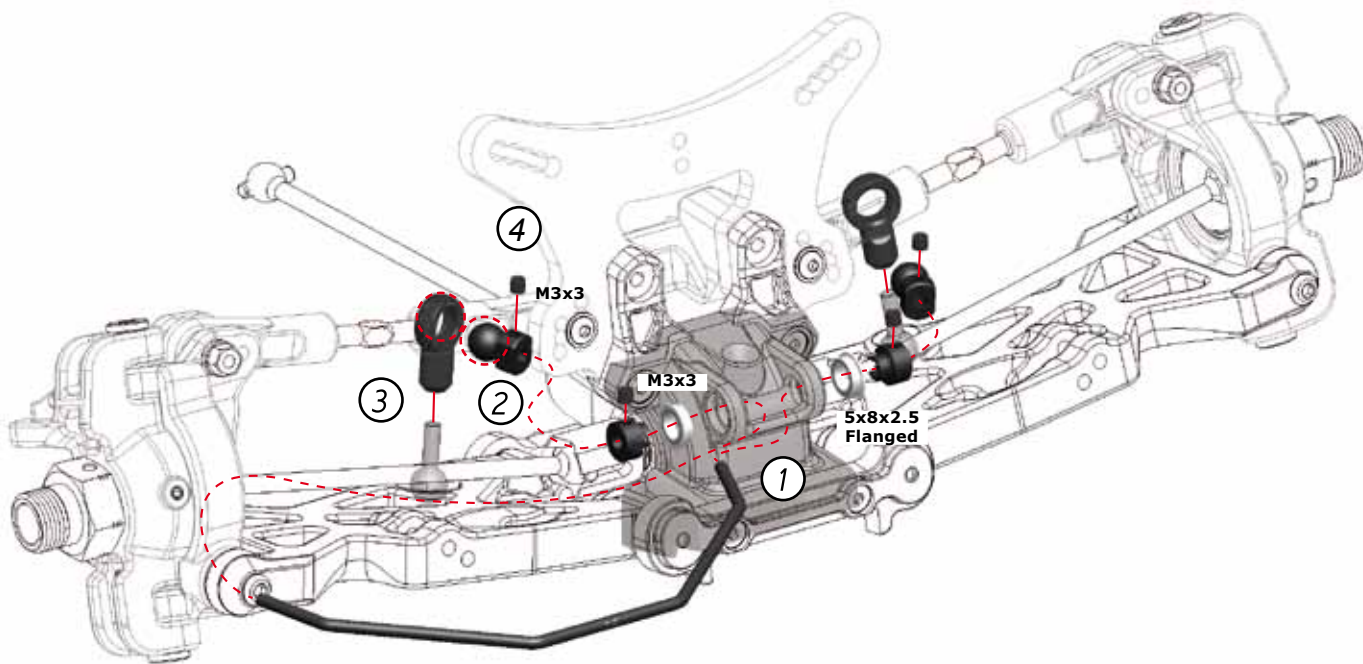
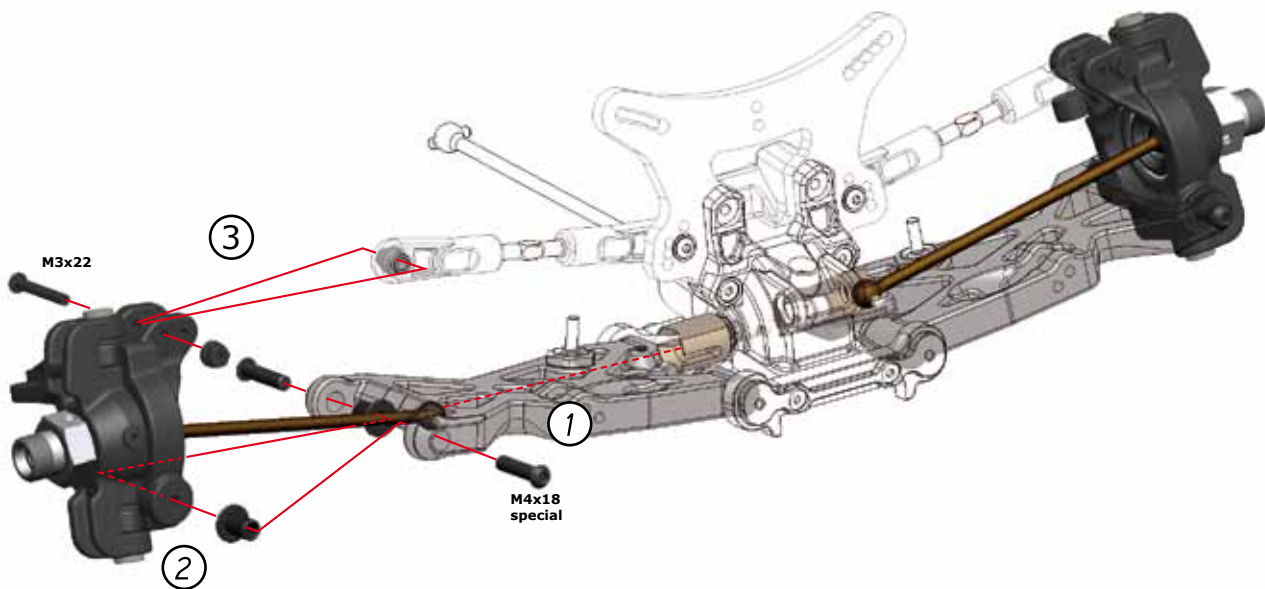
proper insert orientation in the front bracket




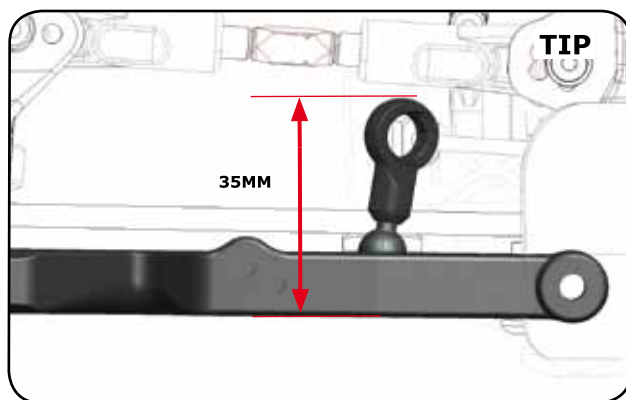
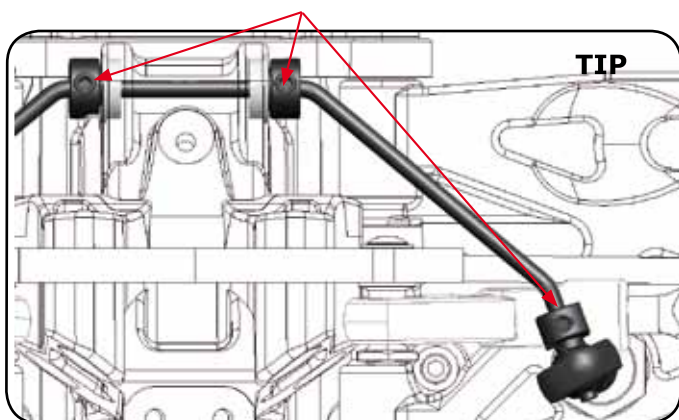


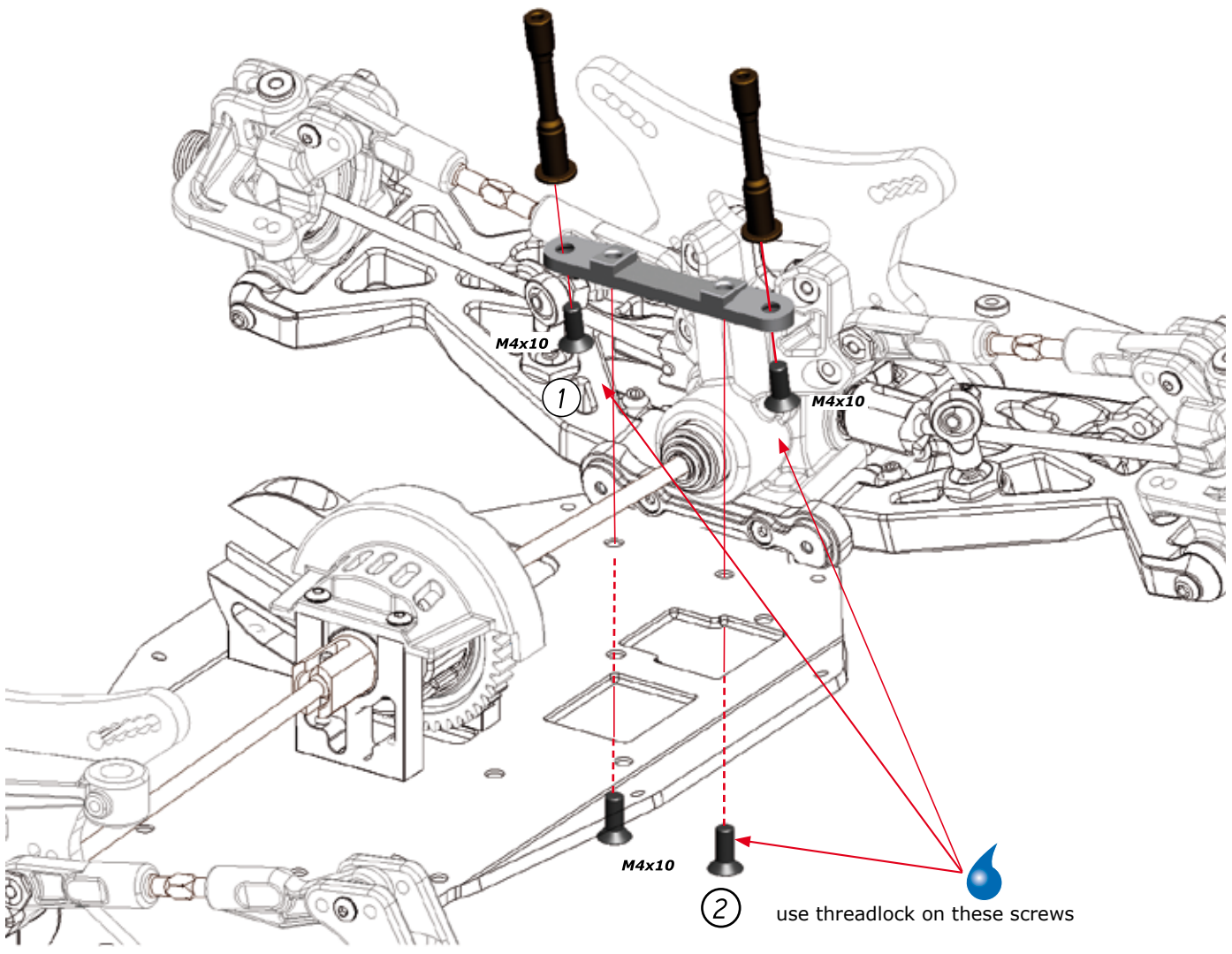
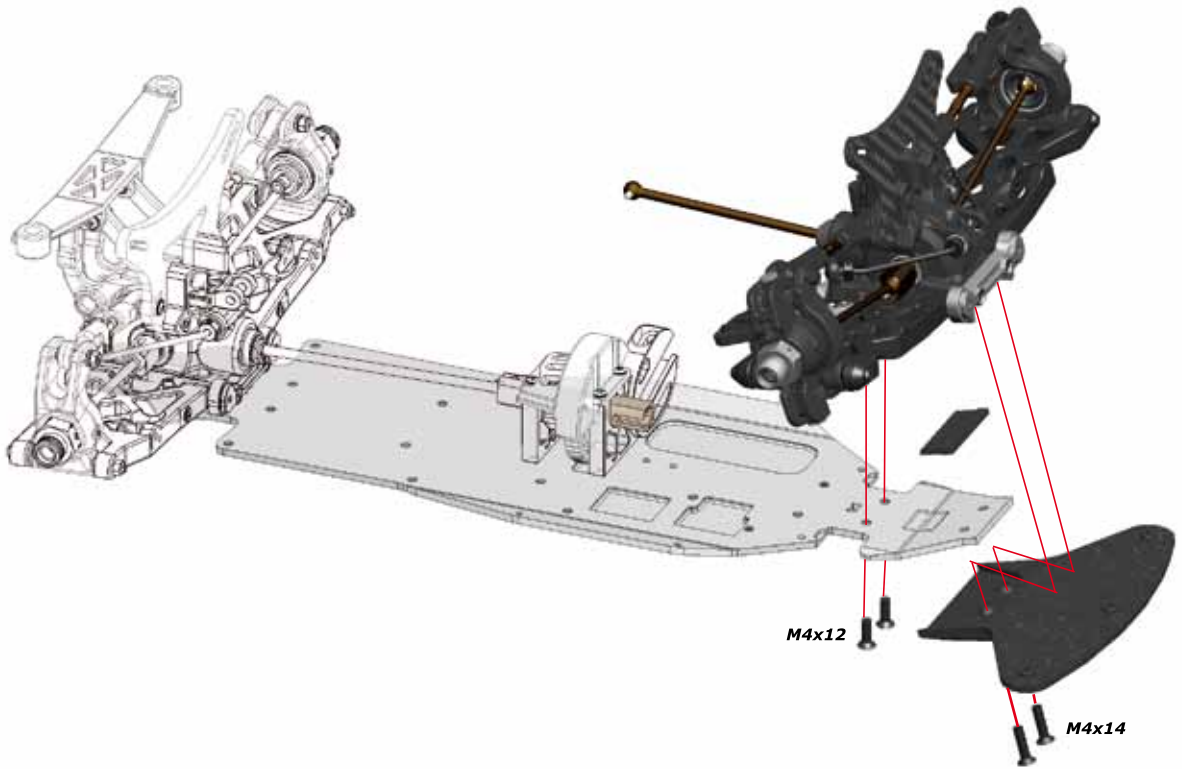
**NOTE:**  
C-hubs show L or R indication





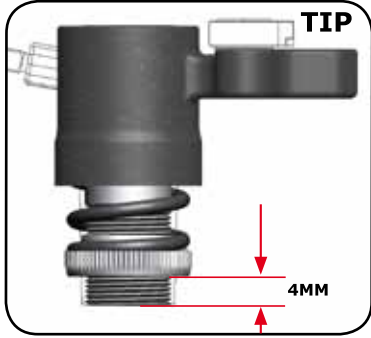
 use threadlock on these screws





A

30



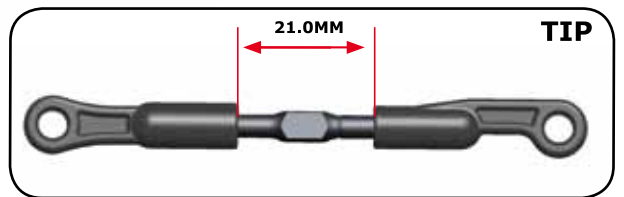
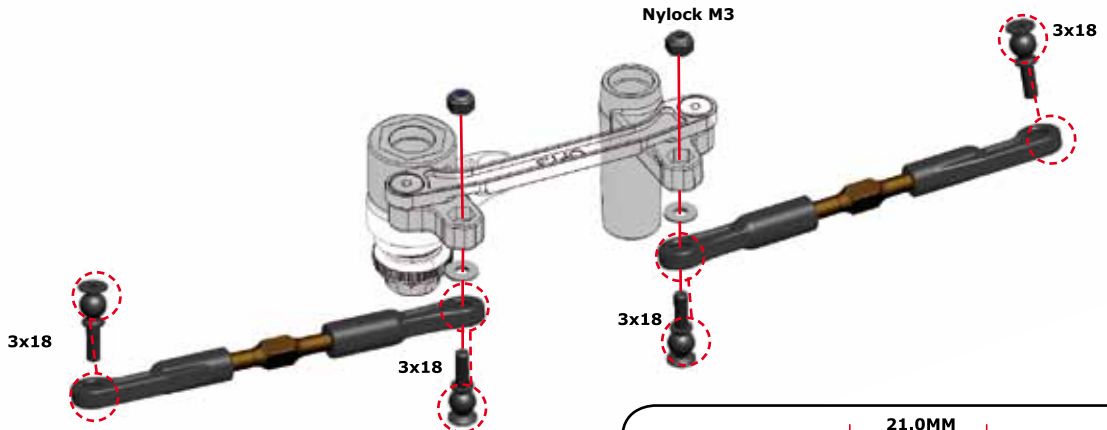
A

31



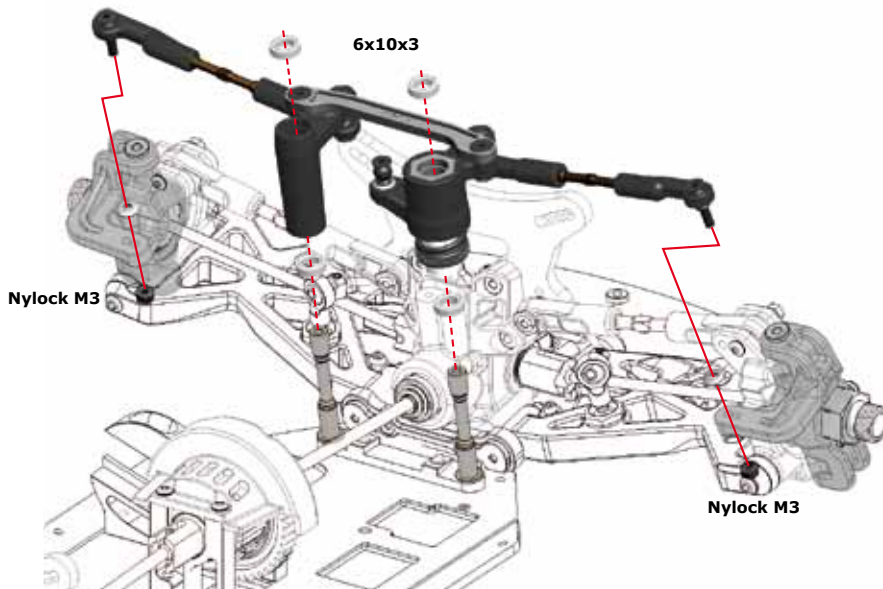
A

32

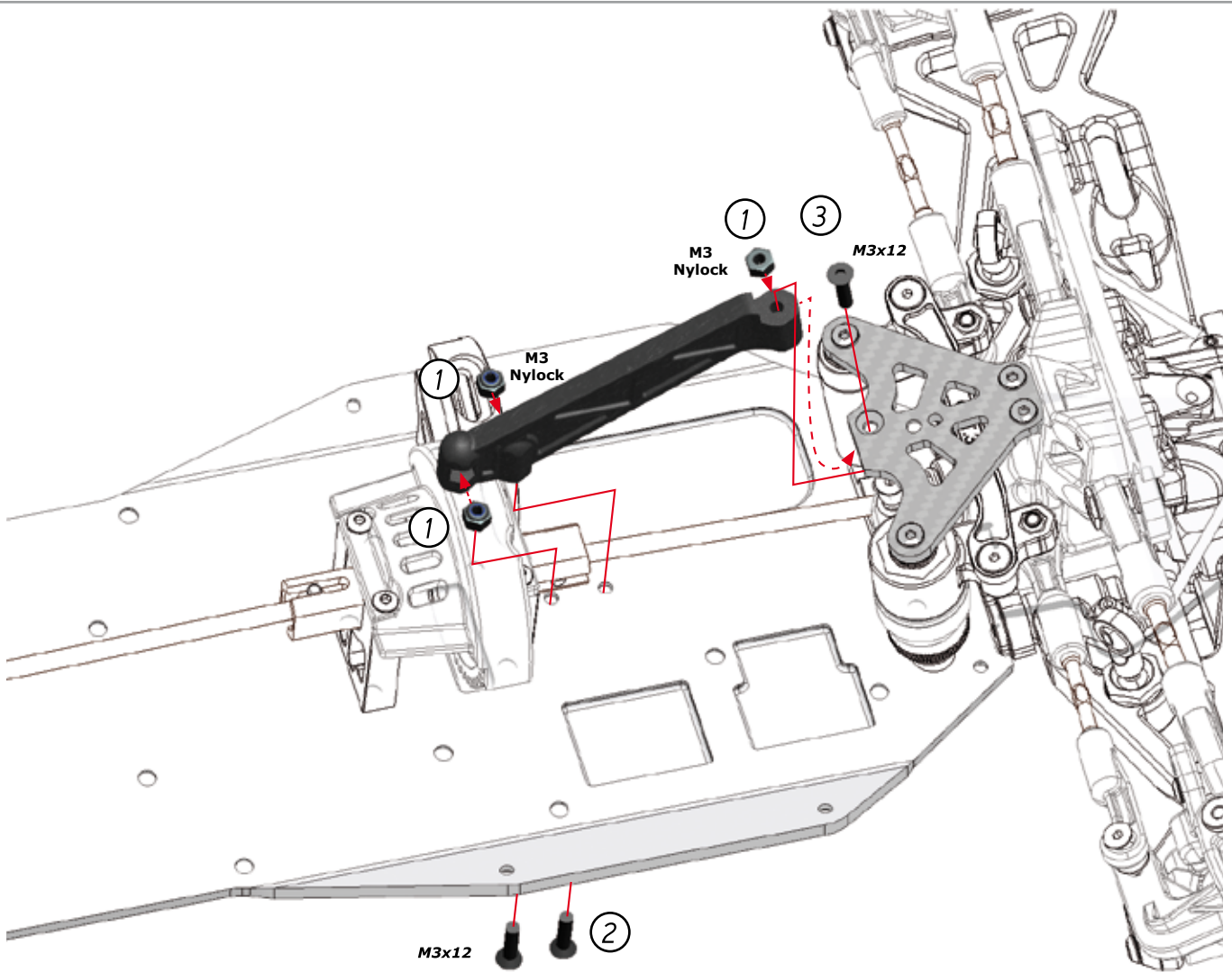
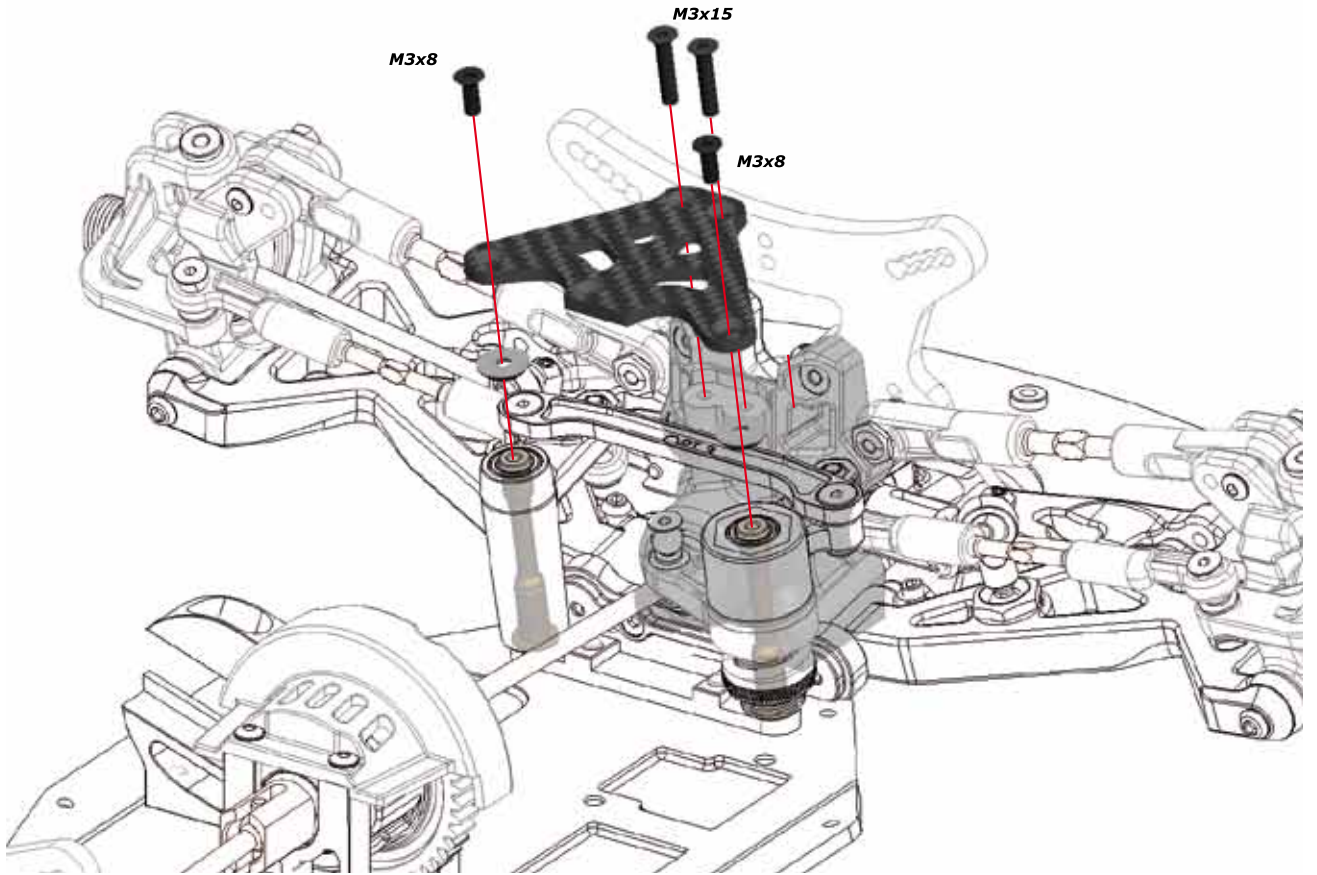


A

33





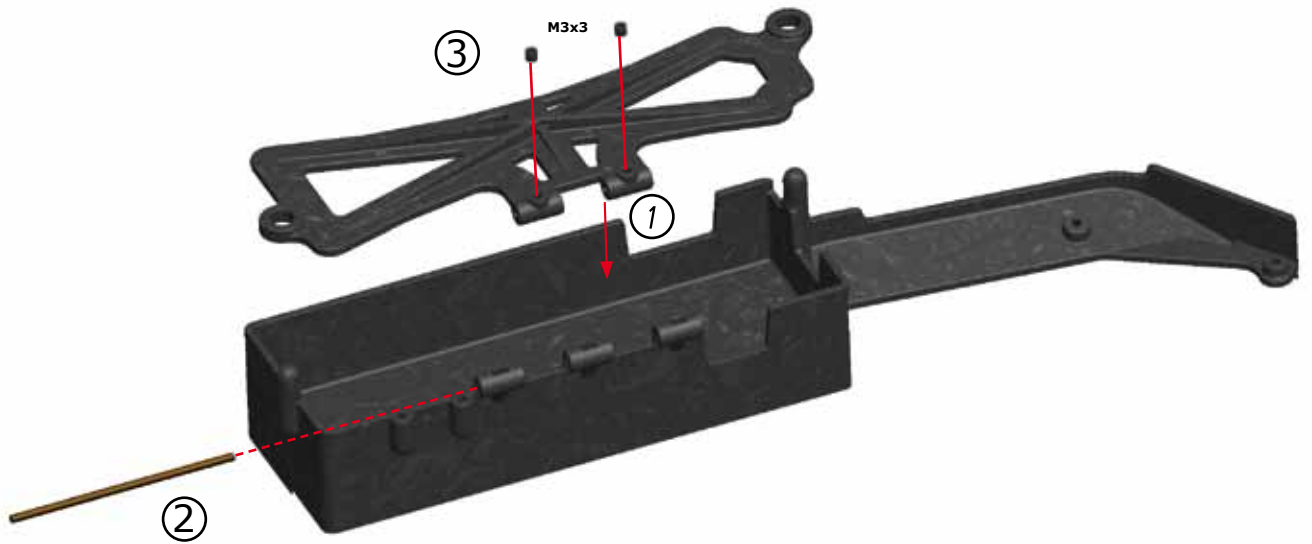


# SIDE-GUARD / RADIO ASSEMBLY

C

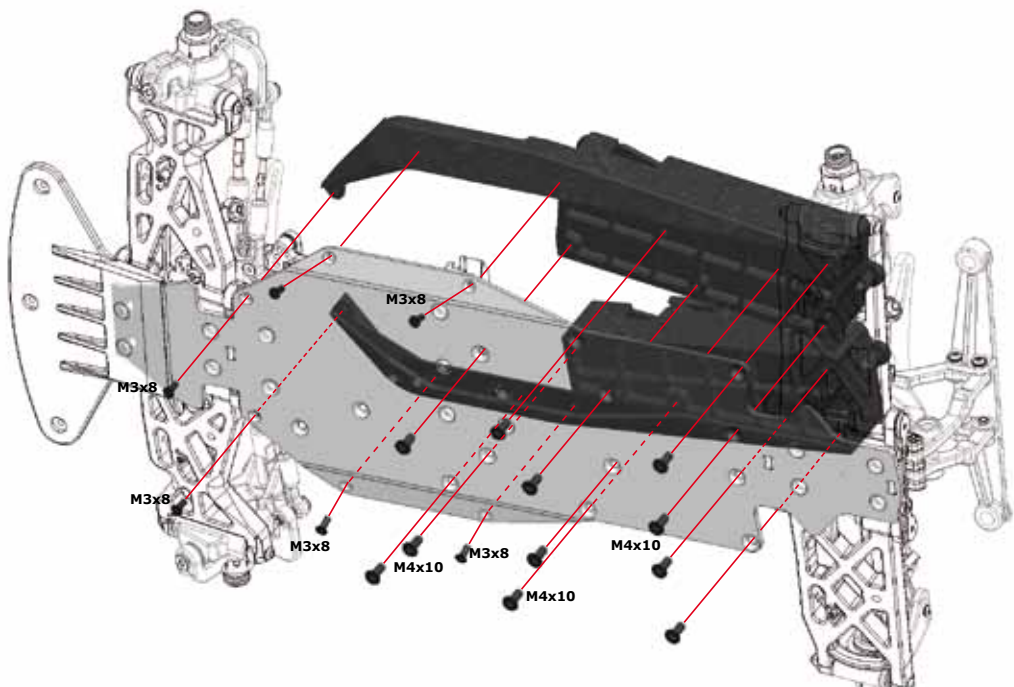
1

BAG  
8



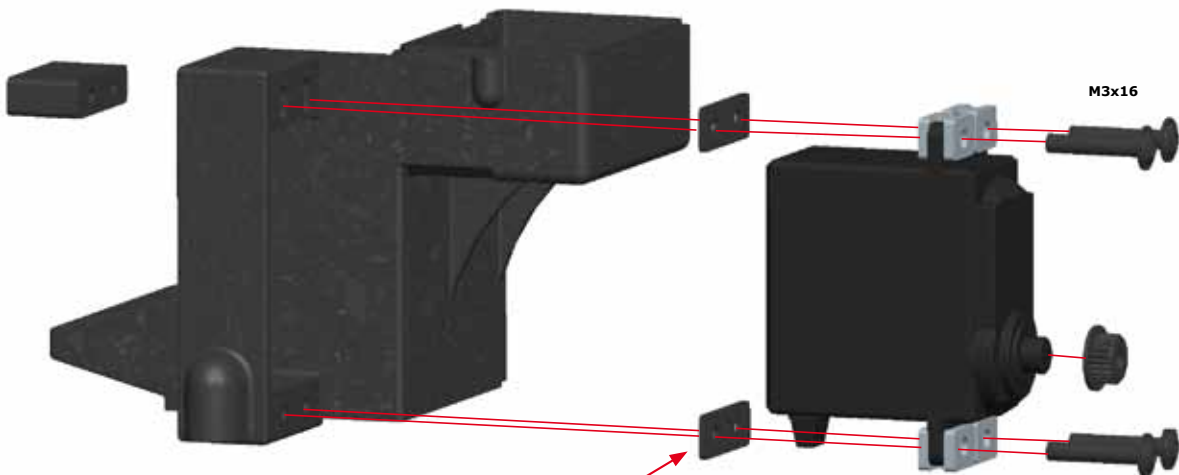
C

2



C

3

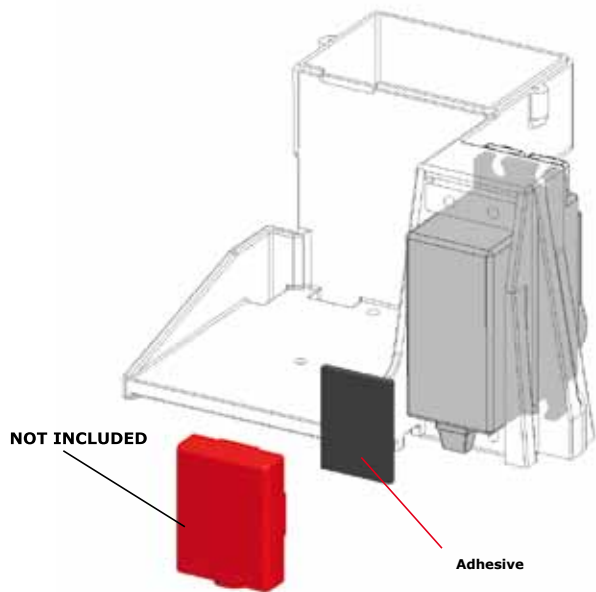


Use shims to allow servolever to clear radiobox by 0.5 to 1.0mm (see step C6)

**Inserts:**  
23T Sanwa / KO / JR  
24T Hitec  
25T Futaba

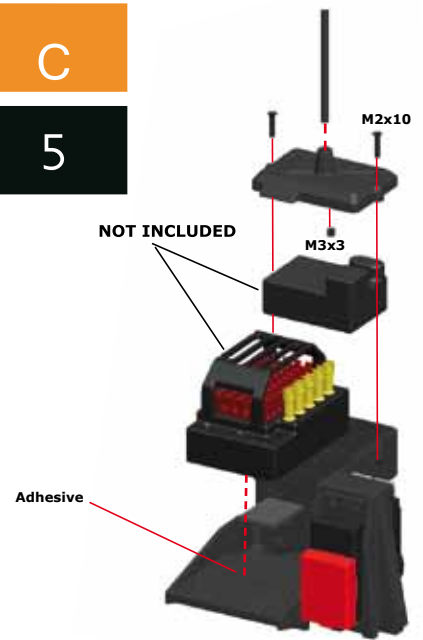
C

4



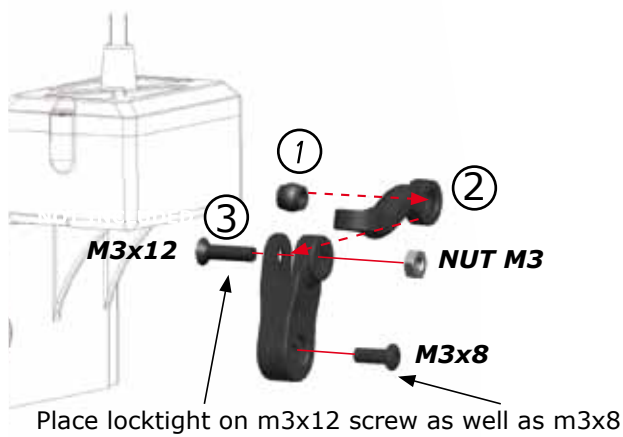
C

5



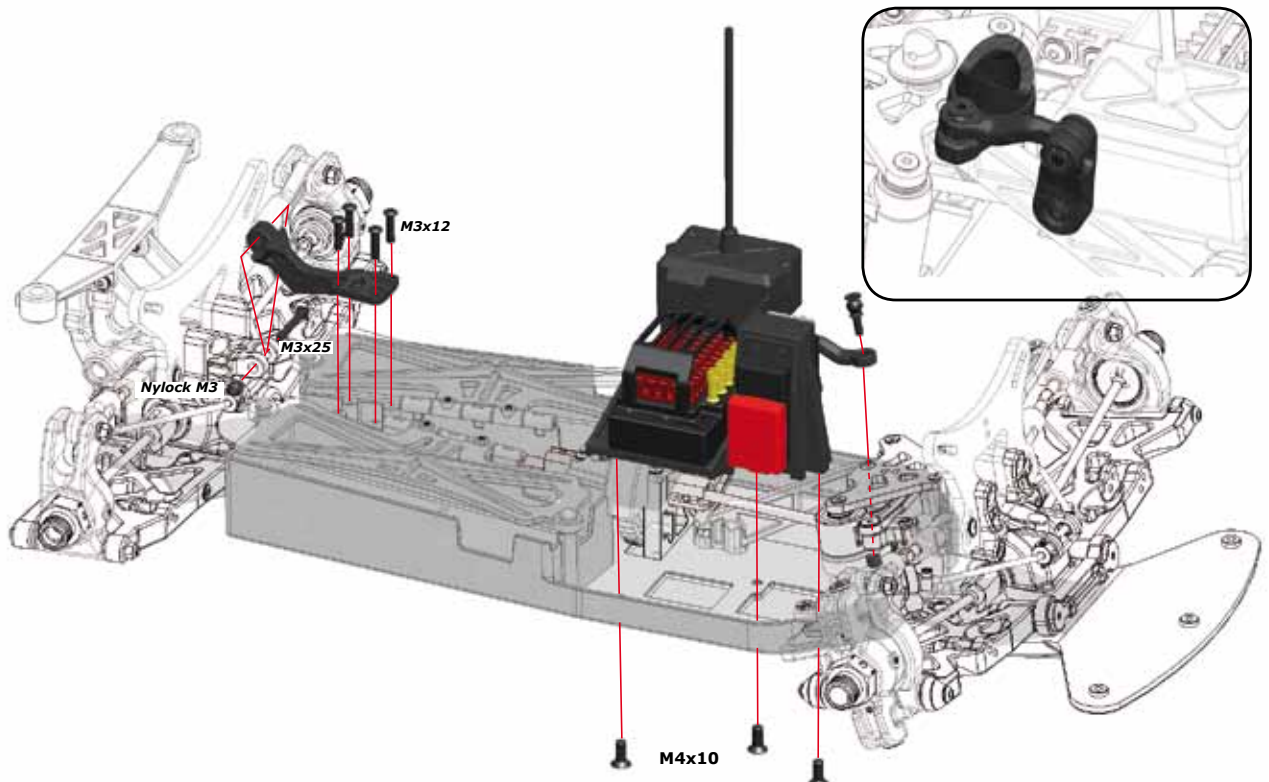
C

6



C

7



D

# FRONT/REAR SHOCK ASSEMBLY

1

BAG 10

D

2

D

3

D

4

D

5

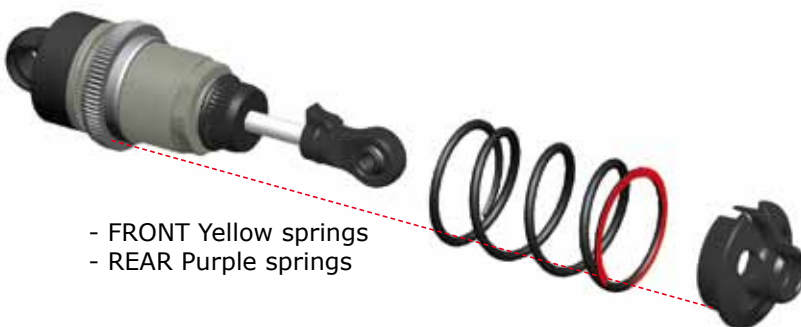
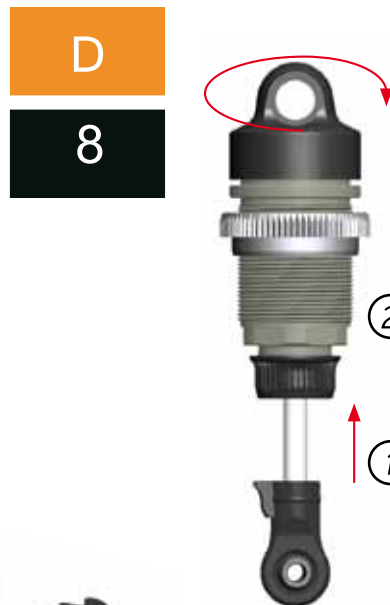
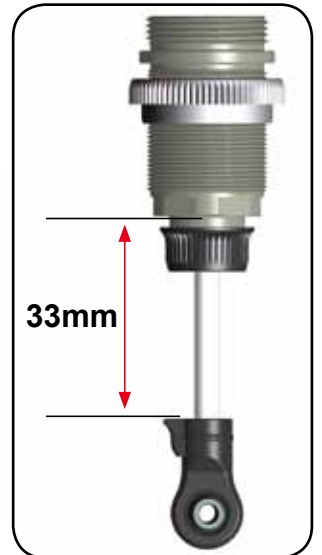
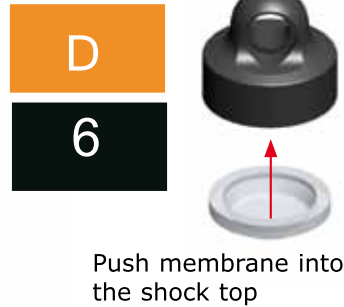
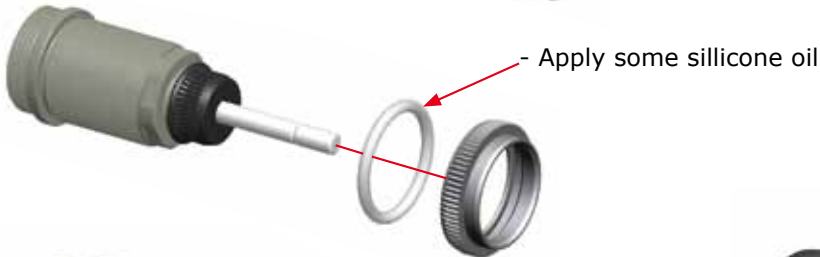
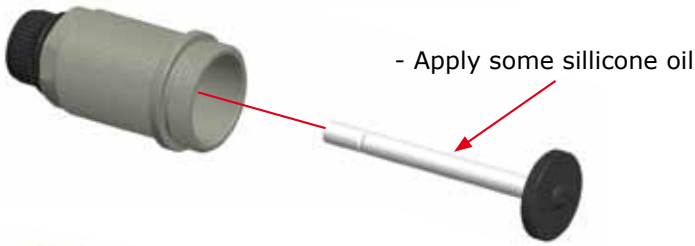
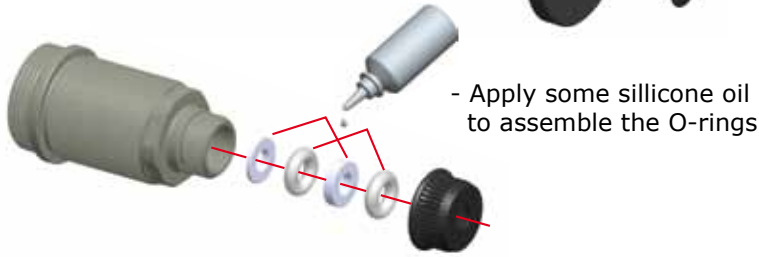
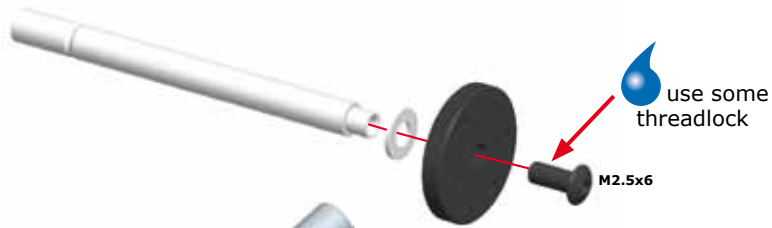
D

7

D

9

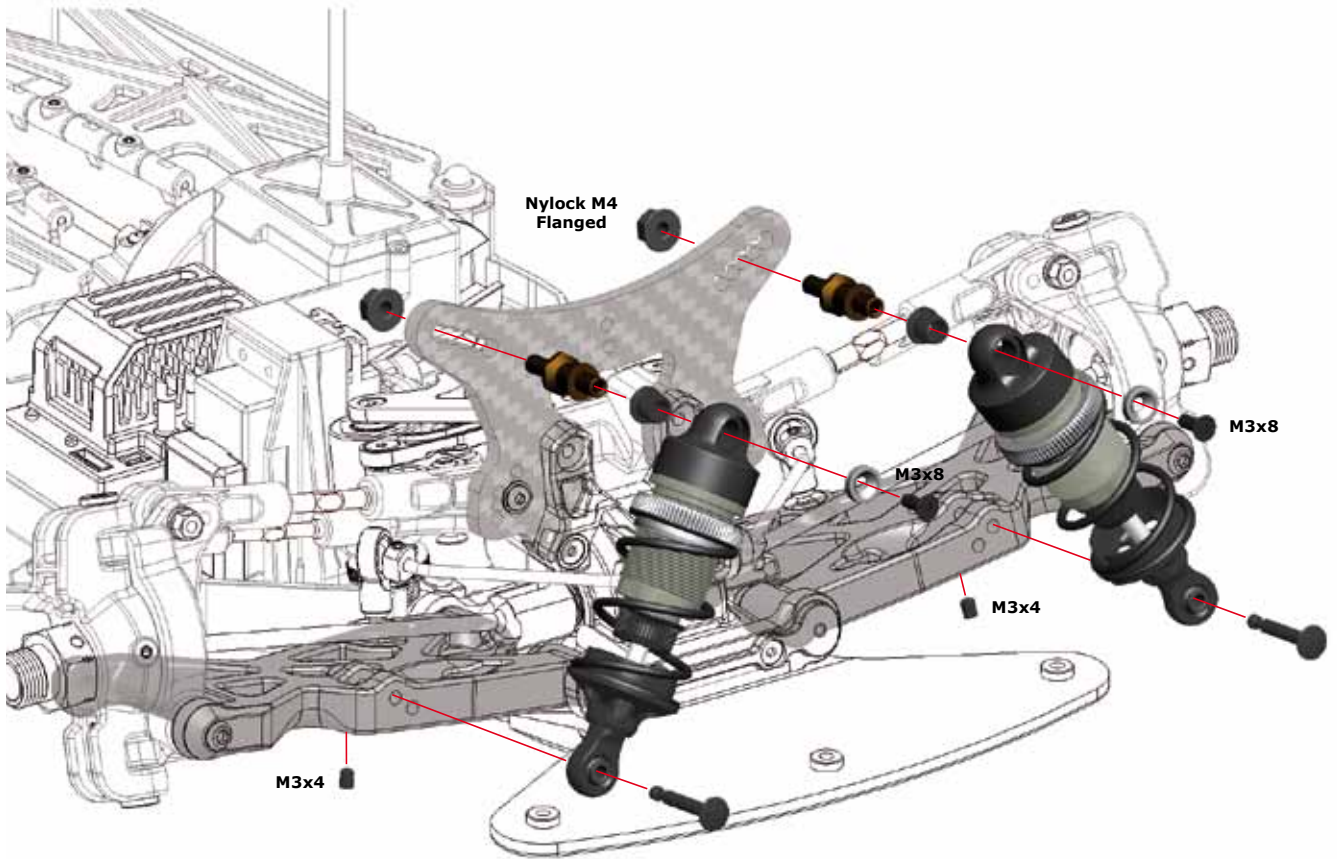
20



# SHOCK MOUNTING

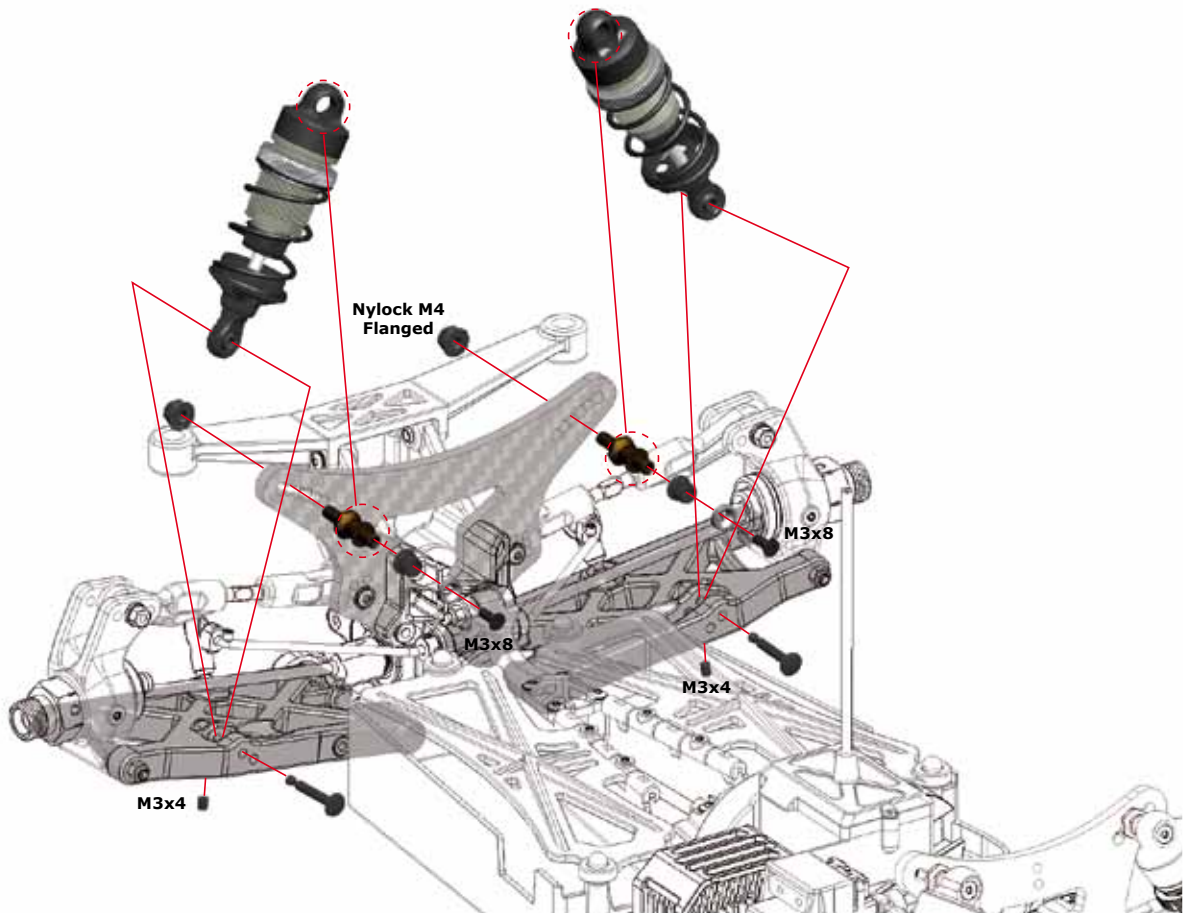
D

10



D

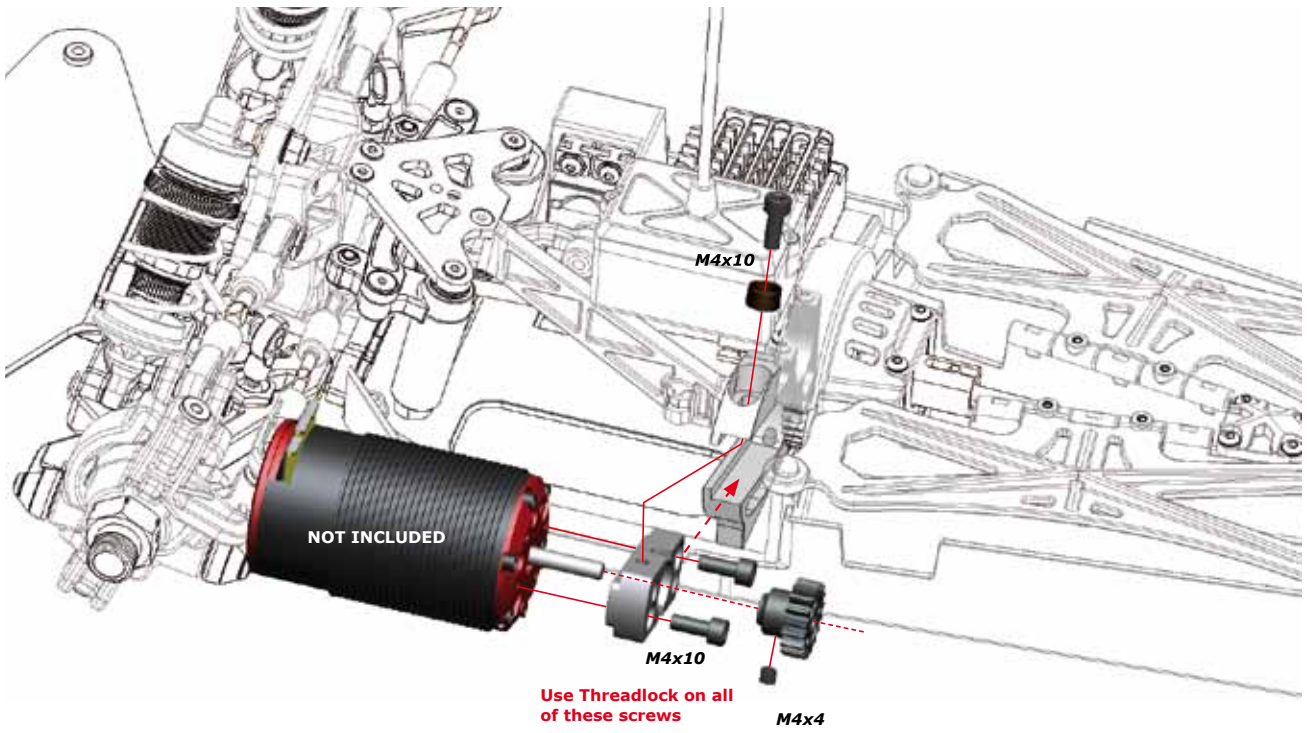
11



E

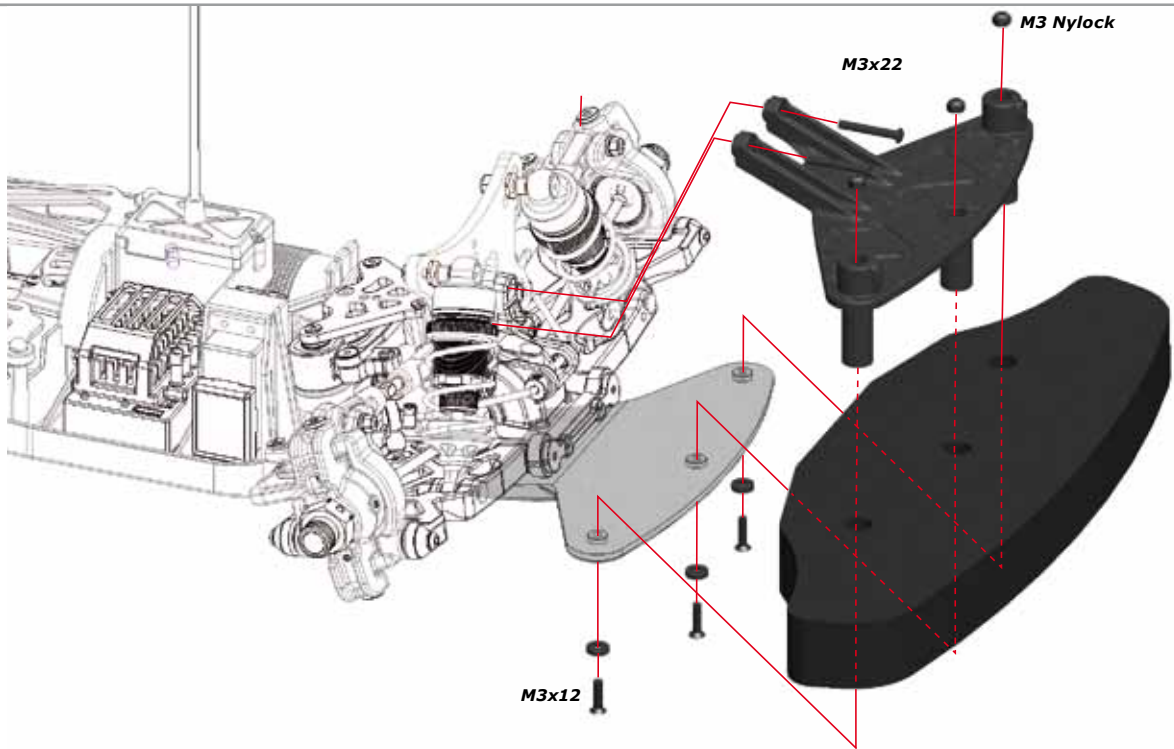
1

BAG  
11



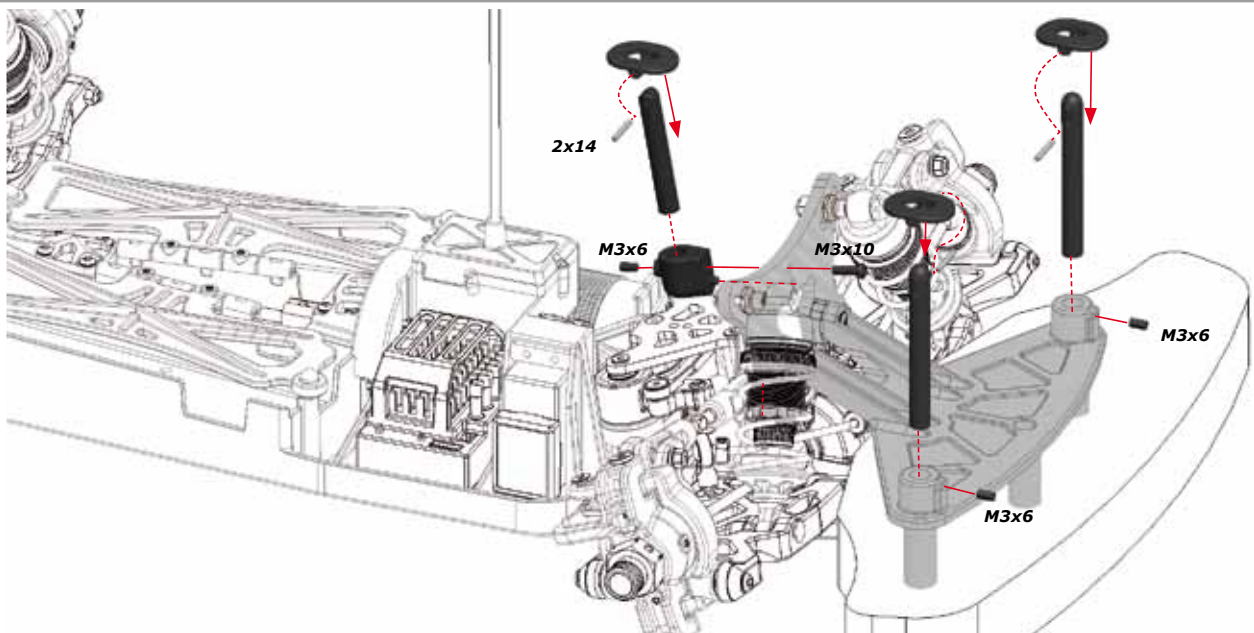
E

2



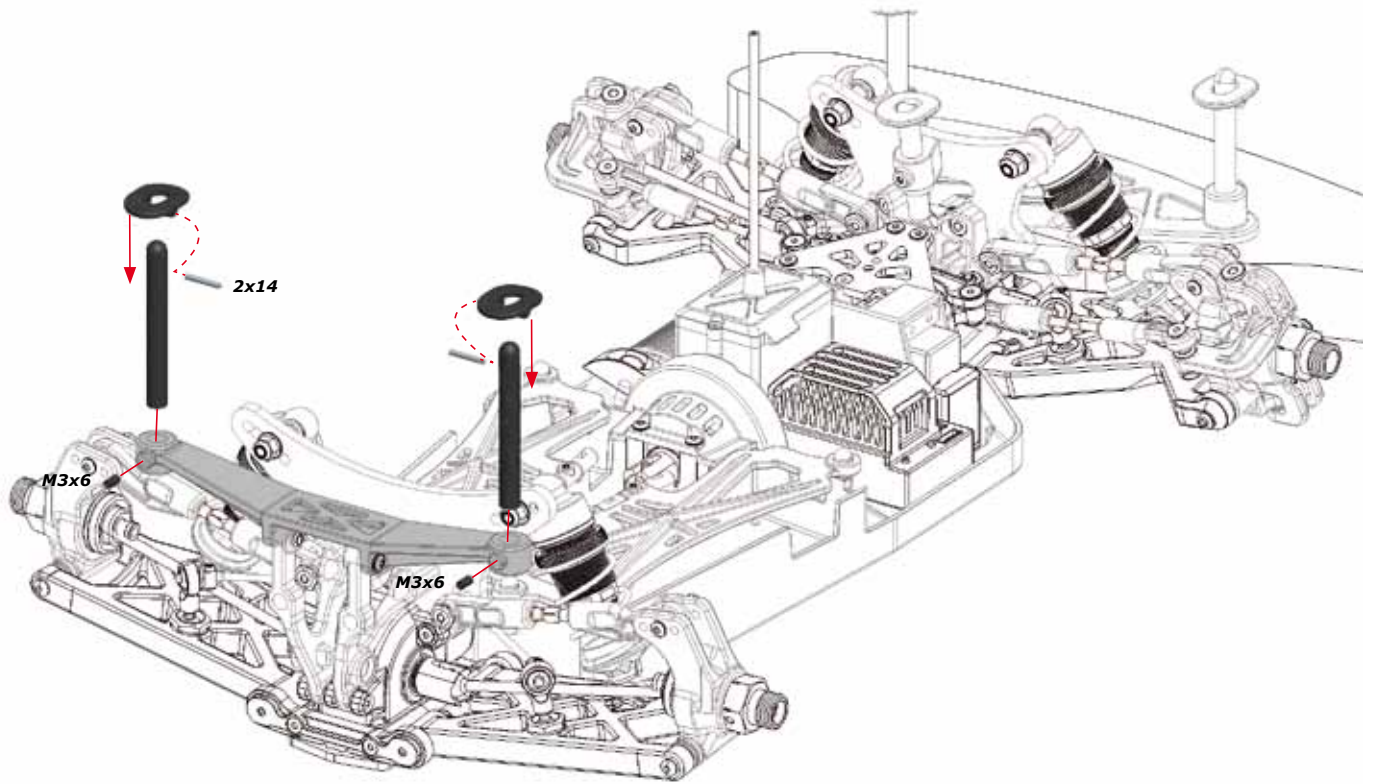
E

3



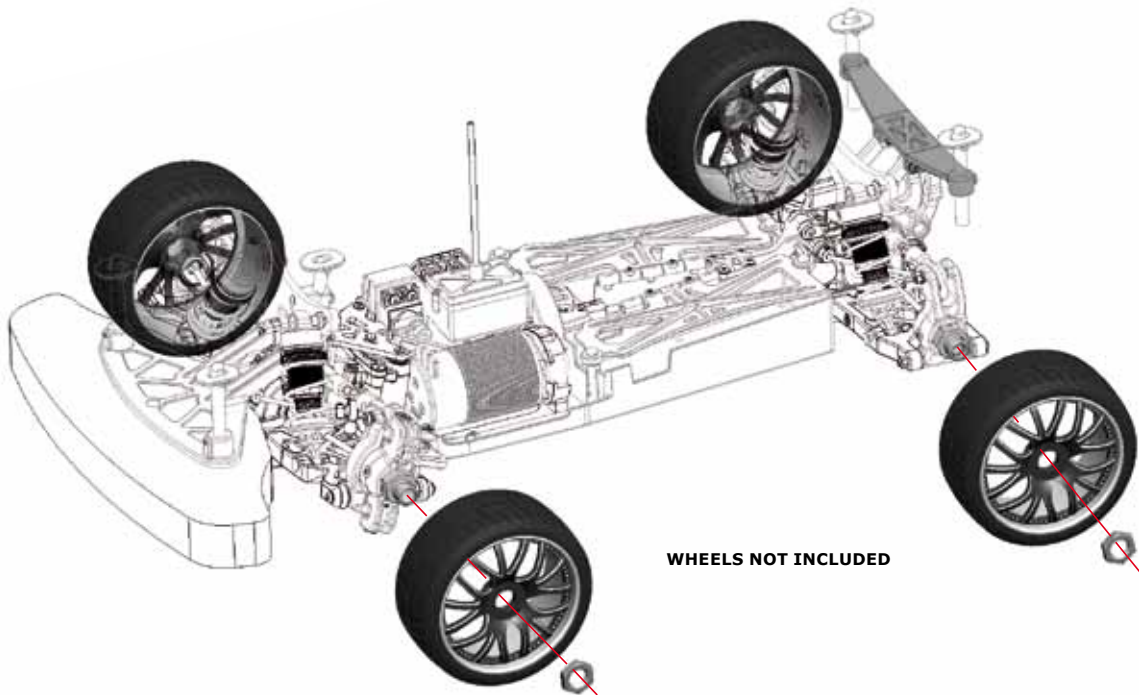
E

4



E

5





## REFERENCE GUIDE AND EXPLODED VIEWS

### Description

S811 GTE

### Manual & Decals

- 600610 Decal sheet S811 GT
- 600628 Manual S811 GTE

### Ball Bearings

- 1312 Ballbearing 5x8 flanged SS (2)
- 1311 Ballbearing 5x8x2 (2)
- 1315 Ballbearing 5x10x4 SS (2)
- 1321 Ballbearing 6x10x3 SS (2)
- 1337 Ballbearing 15x21x4 SS (2)
- 1393 Ballbearing 13X19X4 SS (2)
- 1394 Ballbearing 8x14x4 flanged SS (2)
- 1395 Ballbearing 8x19x6 SS (2)
- 1396 Ballbearing 8x16x5 SS (2)
- 600466 Bearingset 811-E (26)
- 600617 Bearingset small S811 v2 (12)

### Radio Installation / Battery

- 1606 Antenna rod black (2)
- 600131 Balljoint set (19)
- 600436 Battery radiobox 811-E
- 600437 Steering balljoint + lever 811-E
- 600479 Battery foam pad (2)
- 600499 Pivotball double straight (3)
- 600500 Servo spacers (8)

### Radio Installation / Battery option

- 600463 Servo lever 23T 811-E alu
- 600464 Servo lever 24T 811-E alu
- 600465 Servo lever 25T 811-E alu

### Servo Saver & Steering

- 600105 Servosaver spring
- 600109 O-ring servosaver nut (4)
- 600128 Servo saver set nylon (3)
- 600131 Balljoint set (19)
- 600153 Topdeck front carbon
- 600167 Steering rack mount
- 600169 Servosaver adjust nut
- 600170 Servosaver shaft outer
- 600173 Steering rack option 3
- 600182 Bolt steering rack (2)
- 600191 Pivotball 6mm steering (4)
- 600199 Servosaver post (2)
- 600334 Spacer steering post (2)
- 600437 Steering balljoint + lever 811-E
- 600481 Steering block L+R V2
- 600499 Pivotball double straight (3)

### Servo Saver & Steering option

- 600171 Steering rack option 1
- 600172 Steering rack option 2
- 600278 Servo saver post alu (2)
- 600296 Servosaver alu coated (3)
- 600330 Servo saver spring hard
- 600463 Servo lever 23T 811-E alu
- 600464 Servo lever 24T 811-E alu
- 600465 Servo lever 25T 811-E alu
- 600611 Steering block Alu 0-Deg L+R

### Shock Absorbers

- 600111 Shock membrane (10)

- 600112 O-ring shock bottom (10)
  - 600113 O-ring shock nut (10)
  - 600118 Shock part frame nylon (10)
  - 600145 Shock pistons (4x4)
  - 600158 Adjust nut shock / oring (2)
  - 600159 Shock top alu black (2)
  - 600179 Shock mount (2)
  - 600180 Washer shock shaft (4)
  - 600184 Pivotball 6.75 double (4)
  - 600234 Shock cartridge stepped (4)
  - 600235 Shock cartridge (4)
  - 600319 Shock revision set (20)
  - 600591 Shock body alu 811GT (2)
  - 600592 Shock shaft 811GT (2)
  - 600595 Shockset fr/rr 811GT (2)
- ### Shock Absorbers option
- 600282 Shock bushing delrin (4)
  - 600287 Shock spring support alu (4)
  - 600347 Shock top 7075 hard anodized (2)
  - 600349 Shock pistons conical 6 hole (4)
  - 600350 Shock pistons conical 8 hole (4)
  - 600351 Shock pistons conical 10 hole (4)
  - 600357 Membrane webbed silicone (4)
  - 600488 Shock piston square 8 hole (4)

### Shock Springs

- 600597 Spring Fr/Rr Red 811GT 18lbs (2)
- 600598 Spring Fr/Rr Purple 811GT 21lbs (2)
- 600599 Spring Fr/Rr Yellow 811GT 29lbs (2)
- 600600 Spring Fr/Rr White 811GT 31.5lbs (2)
- 600601 Spring Fr/Rr Silver 811GT 34.5lbs (2)
- 600602 Spring Fr/Rr Black 811GT 37lbs (2)

### Chassis / Guards

- 600442 Chassis brace FR + RR 811-E
- 600581 Body post front 811GT (3)
- 600582 Bumper 811GT
- 600583 Bodymount rear 811GT
- 600585 Chassis alu 811GT
- 600614 Foam bumper 811GT

### Chassis / Guards Optional

- 600461 Chassis brace front alu 811-E
- 600462 Chassis brace rear alu 811-E
- 600470 Chassis S811E hard anodized
- 600489 Transmission brace tube alu

### Front Section

- 600101 Wheelaxle clip (4)
- 600102 Driveshaft 98mm (2)
- 600108 Hingepin (2)
- 600126 Washer/nut nylon M3 (12+15)
- 600129 Diff case front set
- 600131 Balljoint set (19)
- 600132 Suspension bracket inserts (30)
- 600135 Wishbone front L+R
- 600153 Topdeck front carbon
- 600167 Steering rack mount
- 600168 Camberlink pivotball (4)
- 600174 Antirollbar nut (2)
- 600176 Suspension bracket alu FR RR std
- 600177 Suspension bracket alu FR FR std
- 600178 Shim conical M3x7.5x1 (10)
- 600182 Bolt steering rack (2)





600183 Bushing suspensionarm (4)  
 600185 Pivotball 7.5 double (4)  
 600186 Track rod M4x51 (2)  
 600187 Track rod M5x46 (2)  
 600190 Pin steeringblock (4)  
 600192 Pivotball antirollbar (2)  
 600193 Pivotball threaded antirollbar (2)  
 600197 Driveshaft insert (2)  
 600222 Wheelnut 17mm (4)  
 600224 Bolt shock (4)  
 600225 Droop screw (4)  
 600241 Antiroll bar front 2.5mm  
 600326 Special screw fr whisbone (4)  
 600365 Spacers 1.25mm + 2.5mm wheelbase (4+2)  
 600373 C-Hub truggy 12 L+R  
 600381 Gear coupler rubber boot (2)  
 600472 Gear coupler V3  
 600473 Gear coupler sleeve (2)  
 600478 Wheelaxle FR V2 (2)  
 600481 Steeringblock L+R V2  
 600495 Diff pinion 13T  
 600499 Pivotball double straight (3)  
 600501 Complete FR/RR 44T diff  
 600503 Steeringblock-wheelaxle set 811 V2  
 600581 Body post front 811GT (3)  
 600584 Wheelhexacon 811GT (2)  
 600612 Shocktower carbon fr 811GT  
 903343 Antirollbar Spacer 3mm (2)

**Front Section Optional**

600240 Antiroll bar front 2.3mm  
 600242 Antiroll bar front 2.7mm  
 600263 Washer M3 alu (12)  
 600269 Track rod M5x46 titanium (2)  
 600271 Track rod M4x51 titanium (2)  
 600273 Shock mount titanium (2)  
 600274 Wheelhexagon light -2mm (2)  
 600275 Wheelhexagon light -1mm (2)  
 600276 Wheelhexagon light -0mm (2)  
 600297 Lightweight wheel nut 17mm (4)  
 600309 Antiroll bar shaft FR  
 600311 Antiroll bar wire 1.8mm (2)  
 600312 Antiroll bar wire 2mm (2)  
 600313 Antiroll bar wire 2.1mm (2)  
 600314 Antiroll bar wire 2.3mm (2)  
 600315 Antiroll bar wire 2.5mm (2)  
 600316 Antiroll bar wire 2.7mm (2)  
 600336 Antiroll bar front 1.8mm  
 600337 Antiroll bar front 2.0mm  
 600343 Bushing / spacer Steering block alu (8)  
 600374 C-hub truggy 14 L+R alu  
 600484 Antirollbar spacer alu (2)  
 600485 Pivotball anti roll bar (2)  
 600486 Bushing suspension arm fr alu (4)  
 600487 Bolt shock titanium (4)  
 600490 Hingepin fr / rr TiN coated (2)  
 600497 Steeringblock L+R V2 alu  
 600498 Delrin sleeve for alu upright/steeringblock (2)  
 600492 Wheelhexagon light +1mm /nut/pin (2)  
 600493 Wheelhexagon light +2mm /nut/pin (2)  
 600494 Wheelhexagon light +3mm /nut/pin (2)  
 600622 Pivotball antirollbar alu (4)  
 600611 Steeringblock Alu 0-Deg L+R

**Middle Section**

600100 Exhaust mounting wire (2)  
 600119 Center diff holder parts (3)  
 600131 Balljoint set (19)  
 600197 Driveshaft insert (2)  
 600198 Spurgear 46T  
 600381 Gear coupler rubber boot (2)  
 600443 Center diff cover 811-E  
 600444 Driveshaft center FR 811-E  
 600446 Motormount set 811-E  
 600447 Motor slider 811-E

600471 Driveshaft center RR 811-E  
 600472 Gear coupler V3  
 600473 Gear coupler sleeve (2)  
**Middle Section Option**  
 600279 Spur gear 44T  
 600280 Spur gear 48T  
 600286 Center diff holder alu (2)  
 600606 Spurgear 46T composite  
 600607 Spurgear 48T composite  
 600608 Spurgear 50T composite

**Rear Section**

600101 Wheelaxle clip (4)  
 600444 Driveshaft center FR 811-E  
 600108 Hingepin (2)  
 600126 Washer/nut nylon M3 (12+15)  
 600130 Diff case rear set  
 600131 Balljoint set (19)  
 600132 Suspension bracket inserts (30)  
 600134 Wishbone rear L+R  
 600155 Suspension bracket RR RR 3  
 600156 Suspension bracket RR FR 2  
 600168 Camberlink pivotball (4)  
 600174 Antirollbar nut (2)  
 600178 Shim conical M3x7.5x1 (10)  
 600185 Pivotball 7.5 double (4)  
 600188 Track rod M5x53 (2)  
 600189 Hingepin RR outer (2)  
 600192 Pivotball antirollbar (2)  
 600193 Pivotball threaded antirollbar (2)  
 600197 Driveshaft insert (2)  
 600222 Wheelnut 17mm (4)  
 600224 Bolt shock (4)  
 600225 Droop screw (4)  
 600237 Antiroll bar rear 2.3mm  
 600365 Spacers 1,25mm + 2,5mm for wheelbase (4+2)  
 600365 Spacers 1.25mm + 2.5mm wheelbase (4+2)  
 600381 Gear coupler rubber boot (2)  
 600418 Upright truggy L+R  
 600472 Gear coupler V3  
 600473 Gear coupler sleeve (2)  
 600474 Wheelaxle RR V2 (2)  
 600475 Wheelaxle boot RR (2)  
 600477 Driveshaft RR V2 (2)  
 600495 Diff pinion 13T  
 600499 Pivotball double straight (3)  
 600501 Complete FR/RR 44T diff  
 600583 Bodymount rear 811GT  
 600584 Wheelhexacon 811GT (2)  
 600613 Shocktower carbon rr 811GT  
 903343 Antirollbar Spacer 3mm (2)

**Rear Section option**

600204 Bolt transmission brace rear (2)  
 600223 Wheelhexagon (4)  
 600238 Antiroll bar rear 2.5mm  
 600239 Antiroll bar rear 2.7mm  
 600261 Socket screw M3x8 (6)  
 600263 Washer M3 alu (12)  
 600265 Suspension bracket RR FR 2.5 - 4.5  
 600266 Suspension bracket RR RR HR 3  
 600267 Suspension bracket RR RR LR 3  
 600270 Track rod M5x53 titanium (2)  
 600273 Shock mount titanium (2)  
 600274 Wheelhexagon light -2mm (2)  
 600275 Wheelhexagon light -1mm (2)  
 600276 Wheelhexagon light -0mm (2)  
 600297 Lightweight wheel nut 17mm (4)  
 600308 Suspension bracket RR FR 2.5 - 4.5  
 600310 Antiroll bar shaft RR  
 600311 Antiroll bar wire 1.8mm (2)



600312 Antiroll bar wire 2mm (2)  
 600313 Antiroll bar wire 2.1mm (2)  
 600314 Antiroll bar wire 2.3mm (2)  
 600315 Antiroll bar wire 2.5mm (2)  
 600316 Antiroll bar wire 2.7mm (2)  
 600338 Antiroll bar rear 1.8mm  
 600339 Antiroll bar rear 2.0mm  
 600434 Antiroll bar rear 2.4mm  
 600484 Antirollbar spacer alu (2)  
 600485 Pivotball anti roll bar (2)  
 600487 Bolt shock titanium (4)  
 600490 Hingepin fr / rr TiN coated (2)  
 600491 Hingepin rr outer TiN coated (2)  
 600492 Wheelhexagon light +1mm /nut/pin (2)  
 600493 Wheelhexagon light +2mm /nut/pin (2)  
 600494 Wheelhexagon light +3mm /nut/pin (2)  
 600498 Delrin sleeve for alu upright/steeringblock (2)  
 600622 Pivotball antirollbar alu (4)

**Differential**

110431 Shim 8x11x0.2 (10)  
 600147 Diff gasket (3)  
 600200 Diff outdrive (2)  
 600205 Shim 13x16x0.2 (10)  
 600209 Diff pin 10T (2)  
 600210 Diff pin outdrive (2)  
 600212 Shim 14x15.5x0.65 (10)  
 600213 Shim 6x11.75x0.2 (10)  
 600214 Shim 3.5x12x0.2 (10)  
 600215 Shim 8x11x0.2 (10)  
 600325 Diff uni  
 600354 Shim 14x15.5x 0.65 (4)  
 600356 Shim 14x15.5x0.2 (10)  
 600381 Gear coupler rubber boot (2)  
 600421 Oring centerdiff V2 (10)  
 600425 Diff housing V2  
 600472 Gear coupler V3  
 600473 Gear coupler sleeve (2)  
 600480 Diff gear 44T  
 600495 Diff pinion 13T  
 600501 Complete FR/RR 44T diff  
 600627 Diff gear 10T + 20T (4+2) V2

**Differential Optional**

600283 Diff pin 10T alu (2)  
 600201 Diff gear 43T  
 600211 Diff pinion 10T  
 600323 Diff Fr / Rr 43T  
 600606 Spurgear 46T composite  
 600607 Spurgear 48T composite  
 600608 Spurgear 50T composite

**Pinions**

600456 Pinion 16T

**Pinions Optional**

600452 Pinion 12T  
 600453 Pinion 13T  
 600454 Pinion 14T  
 600455 Pinion 15T  
 600457 Pinion 17T  
 600458 Pinion 18T  
 600459 Pinion 19T  
 600460 Pinion 20T

**Body**

1667 Body-clip medium (10)  
 600581 Body post front 811GT (3)  
 600583 Bodymount rear 811GT

**FASTNERS**

110100 Screw allen countersunk m3x10 (10)  
 110101 Screw allen countersunk m4x8 (10)  
 110102 Screw allen countersunk m4x10 (10)  
 110103 Screw allen countersunk m4x16 (10)

110104 Screw allen countersunk M3x8 (10)  
 110105 Screw allen countersunk m4x12 (10)  
 110106 Screw allen flanged roundhead m5x12 (10)  
 110107 Screw allen cilinderhead m3x16 (10)  
 110108 Screw allen roundhead m3x6 (10)  
 110109 Screw allen roundhead m3x10 (10)  
 110110 Screw allen roundhead m3x16 (10)  
 110111 Screw allen roundhead m3x14 (10)  
 110112 Screw allen roundhead m3x12 (10)  
 110113 Screw allen roundhead m4x8 (10)  
 110114 Setscrew allen m3x8 (10)  
 110115 Setscrew allen m3x4 (10)  
 110116 Setscrew allen m3x3 (10)  
 110117 Setscrew allen m3x12 (10)  
 110118 Setscrew allen m4x4 (10)  
 110119 Setscrew allen m4x6 (10)  
 110120 Setscrew allen m4x10 (10)  
 110121 Setscrew allen m5x6 (10)  
 110122 Screw allen countersunk m3x6 (10)  
 110123 Screw philips roundhead 3.5x13 (10)  
 110124 Screw allen countersunk m3x8 (10)  
 110125 Screw allen countersunk m3x20 (10)  
 110126 Screw allen countersunk m2.5x12 (10)  
 110127 Screw allen countersunk m3x12 (10)  
 110128 Screw allen roundhead m3x5 (10)  
 110129 Screw allen cilinderhead m3x10 (10)  
 110130 Screw allen roundhead m2.5x6 (10)  
 110131 Screw allen roundhead m2.5x10 (10)  
 110132 Screw allen countersunk m3x16 (10)  
 110133 Screw philipshead countersunk 2.5x8 wide (10)  
 110134 Screw philipshead countersunk 2.5x10 wide (10)  
 110135 Screw allen countersunk M2.5x10 (10)  
 110136 Screw allen countersunk M2.5x8 (10)  
 110137 Setscrew allen M3x6 (10)  
 110138 Screw allen countersunk M4x14 (10)  
 110139 Screw allen countersunk M3x40 (10)  
 110140 Screw allen roundhead M3x20 (10)  
 110141 Screw allen roundhead M3x22 (10)  
 110142 Screw allen roundhead M3x25 (10)  
 110143 Screw allen roundhead M4x18 (10)  
 110144 Screw allen roundhead M3x18 (10)  
 110145 Screw allen roundhead flanged M3x12 (10)  
 110146 Screw allen roundhead flanged M3x16 (10)  
 110147 Screw ph roundhead widethread 2.5x5 (10)  
 110148 Setscrew allen M5x4 (10)  
 110149 Screw allen countersink M2x10 (10)  
 110150 Screw M6x12 nylon black (2)  
 110151 Screw allen cilinderhead M4x10 (10)  
 110152 Screw allen cilinderhead M3x8 (10)  
 110153 Screw allen roundhead M2.3x6 (10)  
 110154 Setscrew allen M3x10 (10)  
 110155 Setscrew allen M3x5 (10)  
 110156 Screw allen countersunk M2.2x6 (10)  
 110157 Screw allen countersunk M3x5 (10)  
 110158 Screw allen countersunk M3x15 (10)  
 110159 Screw allen countersunk M3x18 (10)  
 110160 Screw allen cilinderhead M2.2x12 (10)  
 110161 Screw allen cilinderhead M2x6 (10)  
 110162 Setscrew allen M3x2.5 (10)  
 110163 Setscrew allen M3x2 (10)  
 110164 Screw allen roundhead M3x4 (10)  
 110165 Screw allen cilinderhead M2x5 (10)  
 110166 Screw allen countersunk M2.5x5 (10)  
 110167 Screw allen roundhead flanged M3x18 (10)  
 110168 Screw allen roundhead flanged M3,5x10 (10)  
 110169 Screw allen roundhead flanged M4x10 (10)  
 110170 Screw allen roundhead flanged M3x28 (10)  
 110171 Screw ph countersunk widethread 2.5x15 (10)  
 110200 Pin 2.5x8 (10)  
 110201 Pin 3x12 (10)  
 110202 Pin 5x5 (10)  
 110203 Pin 3x14 (10)  
 110204 Pin 3x20 (10)



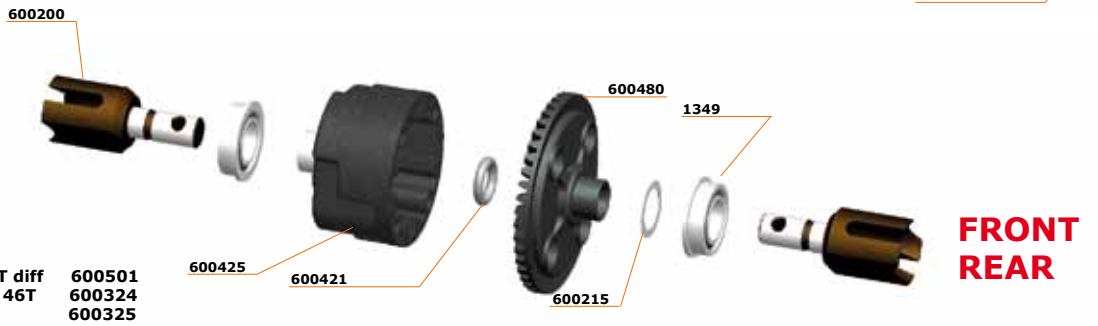
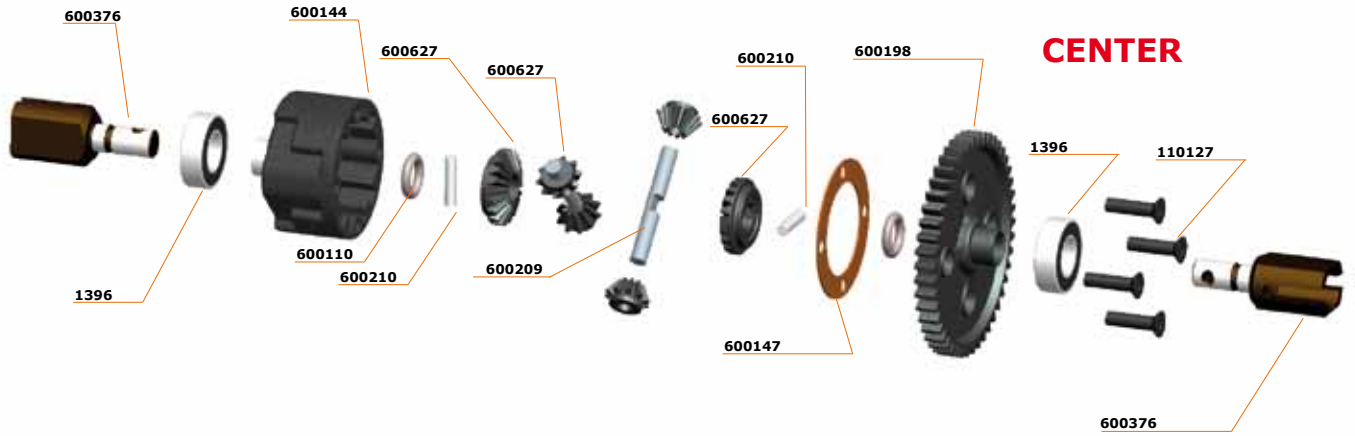
110205	Pin 3x22 (10)	190111	Sweater hooded serpent black (m)
110206	Pin 2.5x22 (10)	190112	Sweater hooded serpent black (l)
110207	Pin 2.5x12 (10)	190113	Sweater hooded serpent black (xl)
110208	Pin nra 2x9.8 (4)	190114	Sweater hooded serpent black (xxl)
110209	Pin nra 2x18 (4)	190116	T-shirt lady black Serpent (S)
110210	Pin 3x13 (10)	190117	T-shirt lady black Serpent (M)
110211	Pin 2.5x13 (10)	190118	T-shirt lady black Serpent (L)
110212	Pin 2.5x17 (10)	190119	T-shirt lady black Serpent (xL
110213	Pin 2.5x10 (10)	190121	T-shirt Serpent LTS white (S)
110214	Pin 3x15 (10)	190122	T-shirt Serpent LTS white (M)
110215	Pin 2x12 (10)	190123	T-shirt Serpent LTS white (L)
110216	Pin 2.5x15 (10)	190124	T-shirt Serpent LTS white (xL)
110217	Pin 2x9 (10)	190125	T-shirt Serpent LTS white (xxL)
110218	Pin 3x10 (10)	190127	T-shirt Serpent DTR orange (S)
110300	E-clip 2.3 (10)	190128	T-shirt Serpent DTR orange (M)
110301	E-clip 3.2 (10)	190129	T-shirt Serpent DTR orange (L)
110302	E-clip 4.0 (10)	190130	T-shirt Serpent DTR orange (xL)
110303	E-clip 5.0 (10)	190131	T-shirt Serpent DTR orange (xxL)
110304	E-clip 7.0 (10)	190132	T-shirt Serpent DTR black (S)
110305	Sege clip 12x1.0 (10)	190133	T-shirt Serpent DTR black (M)
110306	E-clip 6.0 (10)	190134	T-shirt Serpent DTR black (L)
110400	Shim 6.0x10x0.2 (10)	190135	T-shirt Serpent DTR black (xL)
110401	Shim 3.2x7x0.5 (10)	190136	T-shirt Serpent DTR black (xxL)
110402	Nut nylock M3 (10)	190150	Dress shirt Serpent black-orange (S)
110403	Nut nylock M4 (10)	190151	Dress shirt Serpent black-orange (M)
110404	Shim 6x8x0.3 (10)	190152	Dress shirt Serpent black-orange (L)
110405	Nut nylock M4 flanged (10)	190153	Dress shirt Serpent black-orange (XL)
110406	Nut nylock M2.2 (10)	190154	Dress shirt Serpent black-orange (XXL)
110407	Nut M3 (10)	190155	Dress shirt Serpent black-orange (XXXL)
110408	Shim 3x5x0.3 (10)	190156	Polo shirt Serpent black-orange (S)
110409	Shim 3x5x1 (10)	190157	Polo shirt Serpent black-orange (M)
110410	Shim 3x5x2 (10)	190158	Polo shirt Serpent black-orange (L)
110411	Shim 3x5x4 (10)	190159	Polo shirt Serpent black-orange (XL)
110412	Shim 3.5x8x1 (10)	190160	Polo shirt Serpent black-orange (XXL)
110413	Shim 3.5x12x0.2 (10)	190161	Polo shirt Serpent black-orange (XXXL)
110414	Shim 3x6x0.1 (10)	190167	T-shirt Serpent LTS black (S)
110415	Shim 3x6x0.5 (10)	190168	T-shirt Serpent LTS black (M)
110416	Shim 3x6x0.8 (10)	190169	T-shirt Serpent LTS black (L)
110417	Shim 3x6x3 (10)	190170	T-shirt Serpent LTS black (xL)
110418	Shim 4x8x0.1 (10)	190171	T-shirt Serpent LTS black (xxL)
110419	Shim 4x9.5x1 (10)	190172	Winter jacket Serpent (S)
110420	Shim 4x9.5x2(10)	190173	Winter jacket Serpent (M)
110421	Shim 4x9.5x4(10)	190174	Winter jacket Serpent (L)
110422	Shim 4x10x0.3 (10)	190175	Winter jacket Serpent (xL)
110423	Shim 5x8x0.1 (10)	190176	Winter jacket Serpent (xxL)
110424	Shim 5x8x0.3 (10)	190177	T-shirt Serpent LTS orange (S)
110425	Shim 5x10x0.3 (10)	190178	T-shirt Serpent LTS orange (M)
110426	Shim 5x10x0.5 (10)	190179	T-shirt Serpent LTS orange (L)
110427	Shim 5x15x0.3 (10)	190180	T-shirt Serpent LTS orange (xL)
110428	Shim 6.5x8x0.25 (10)	190181	T-shirt Serpent LTS orange (xxL)
110429	Shim 6x11.75x0.2 (10)		
110430	Shim 6x12x0.5 (10)		
110431	Shim 8x11x0.1 (10)		
110432	Shim 8x11x0.2 (10)		
110433	Shim 12x15x0.25 (10)		
110434	Shim 12x18x0.3 (10)		
110435	Shim 13x16x0.2 (10)		
110436	Shim 3x5x3 (10)		
110437	Nut M2.5 (10)		
110438	Shim 2,5x6x0,5 (10)		
110439	Shim 3x7,5x1 (10)		
110440	Shim 2,5x5x0,4 (10)		
110441	Nut nylock M3 flanged (10)		
110442	Shim 4x8x0.6 (10)		

**MERCHANDISING**

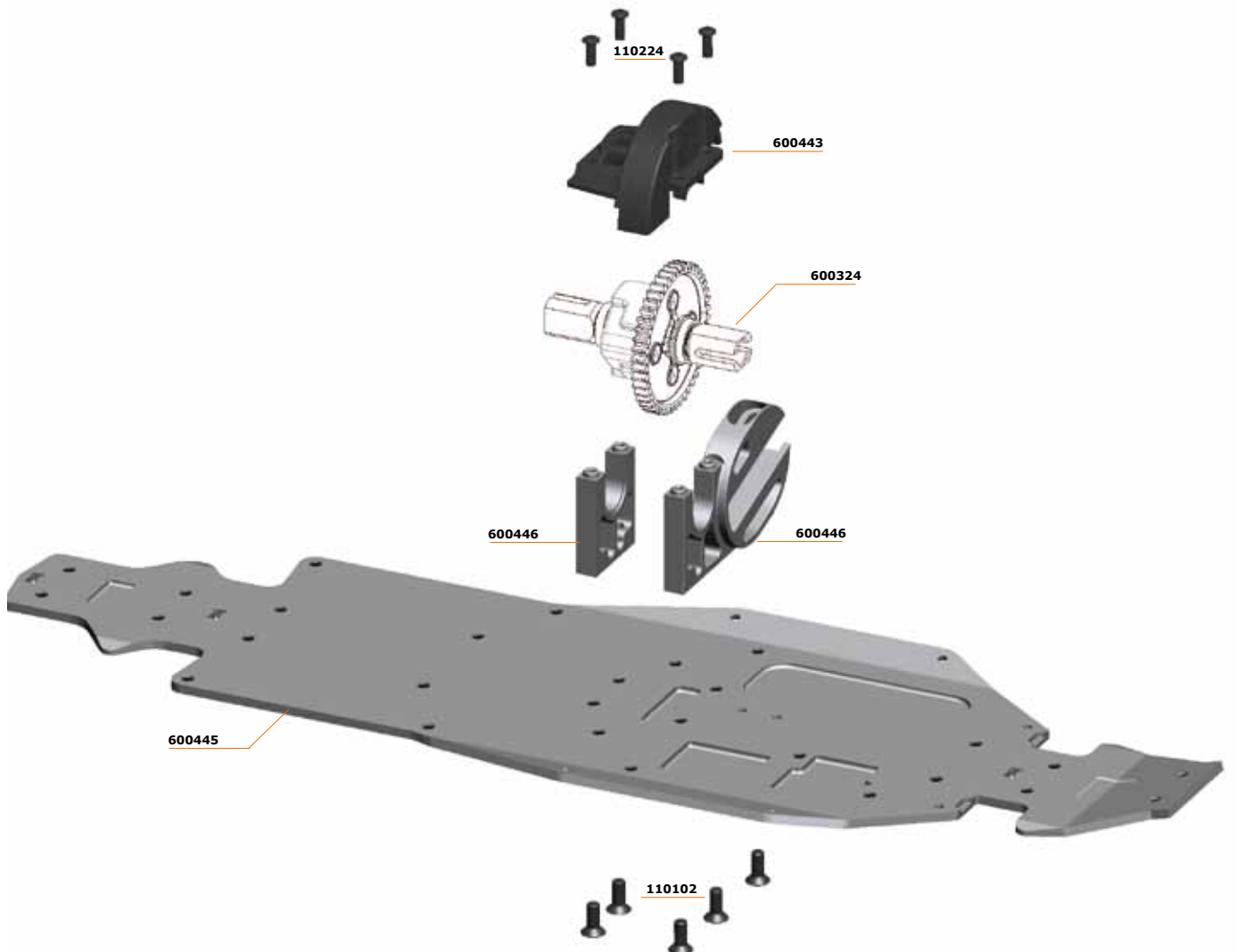
1891	Serpent medium promo decal 20x12.5 (2)
1893	Serpent decal xL (30x60cm)
1998	Cap serpent black-orange
1869	Pit-towel serpent orange 140x60cm
1872	Rucksack serpent (35x45cm) black
1873	Rucksack serpent (48x61cm) black
1883	Banner Serpent S-logo 200x100 nylon
190110	Sweater hooded serpent black (s)

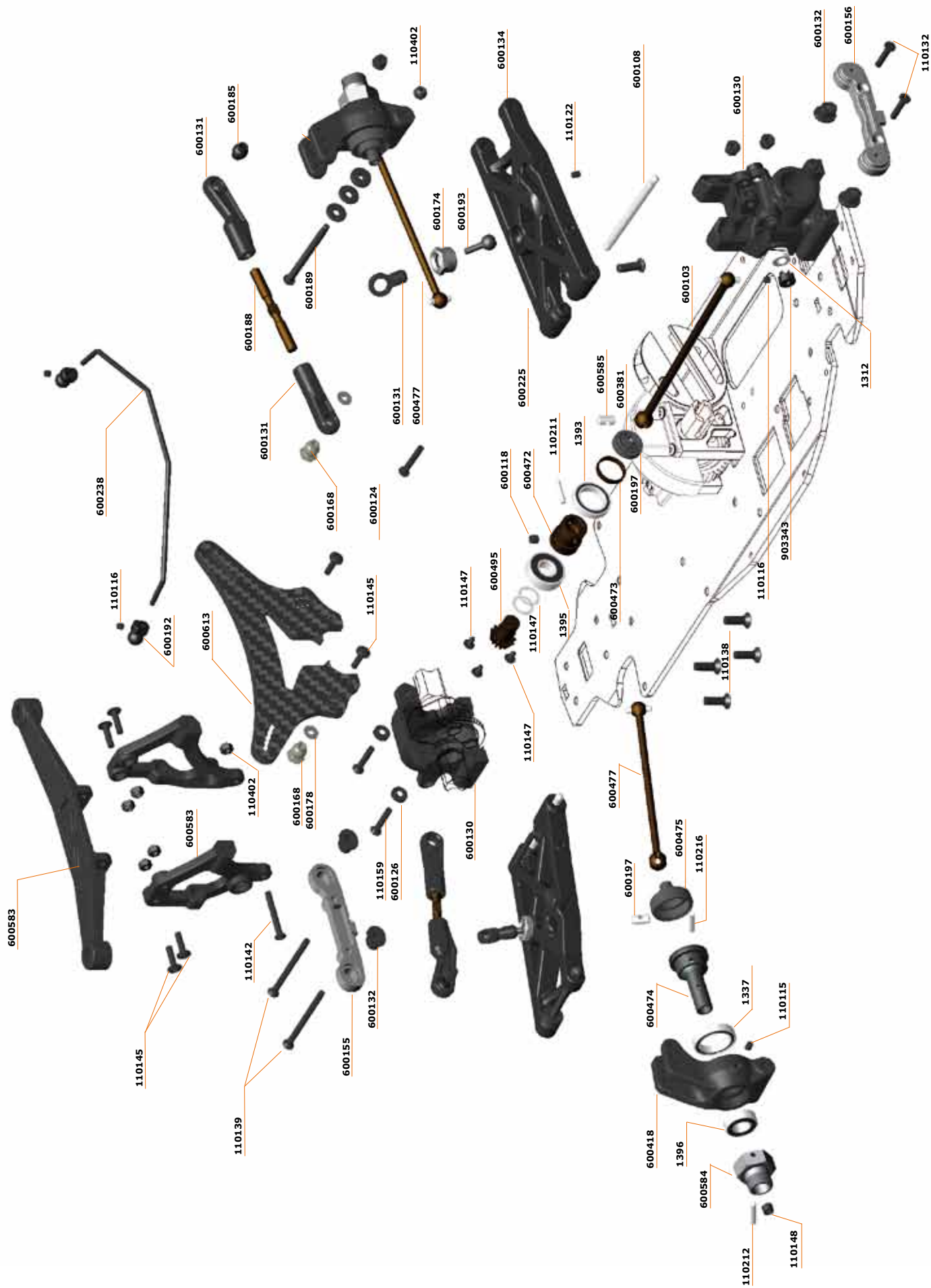
All rights reserved. Parts may change without prior notice.

# DIFFERENTIAL ASSEMBLIES



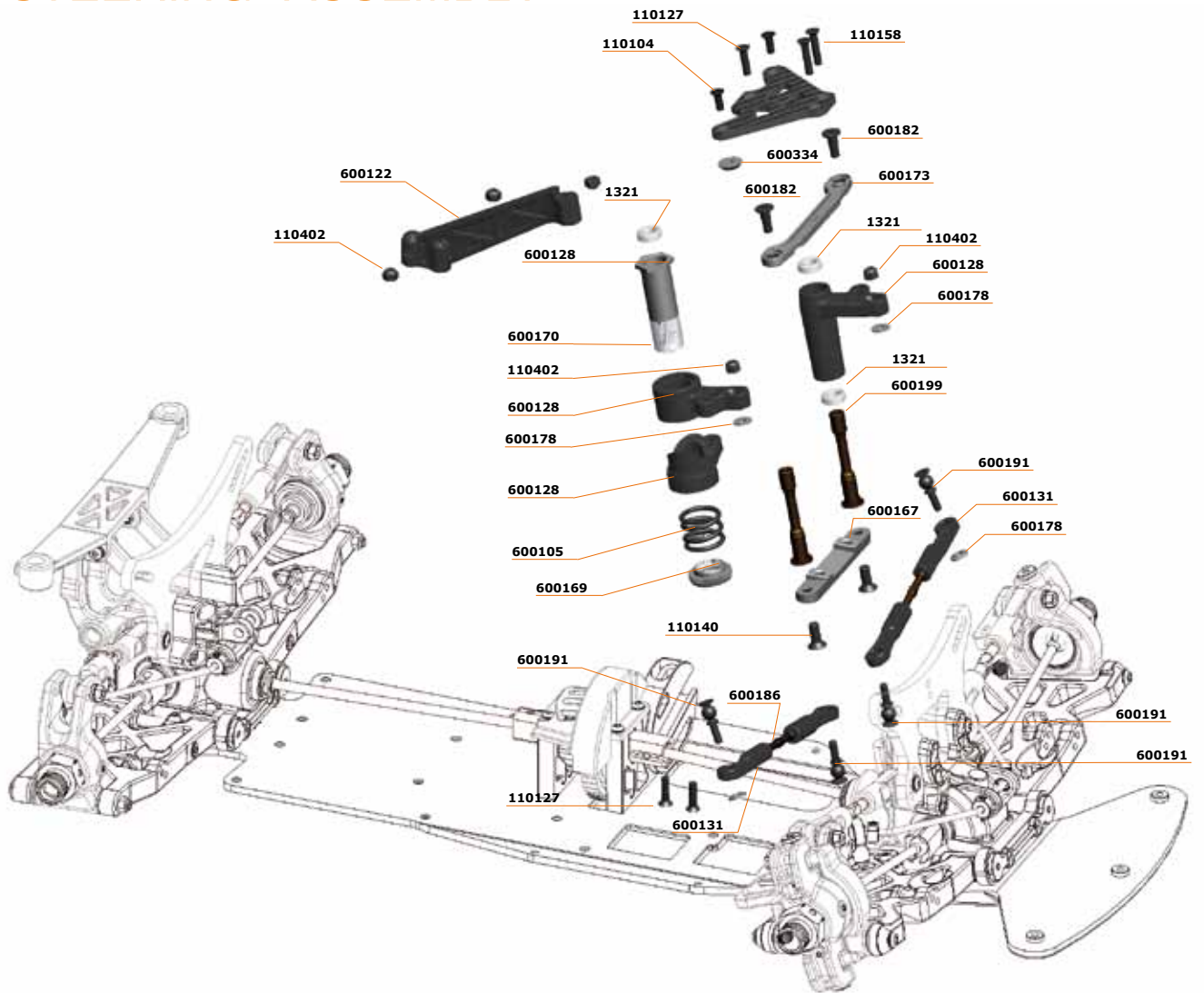
# TRANSMISSION CENTER





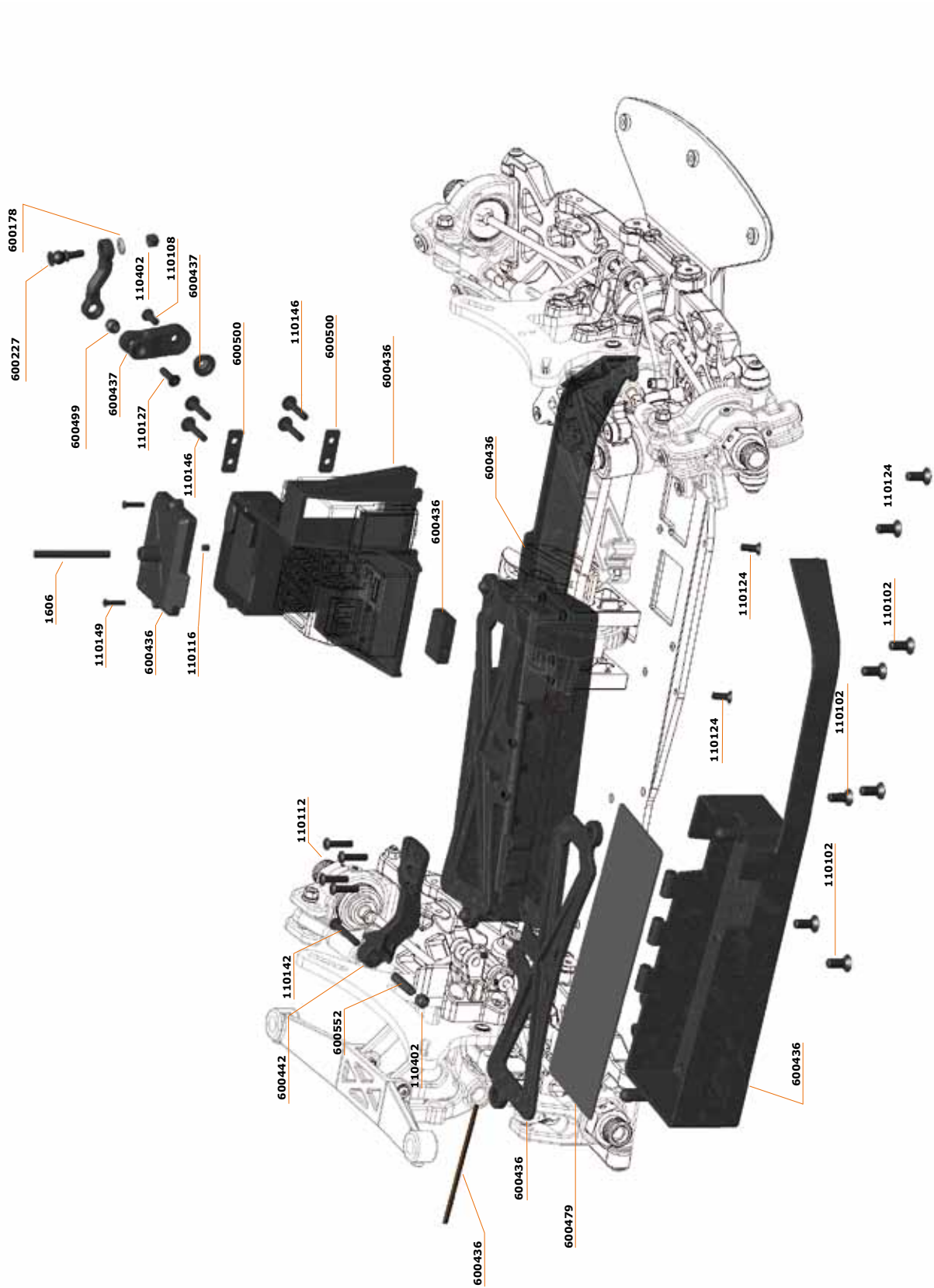


# STEERING ASSEMBLY

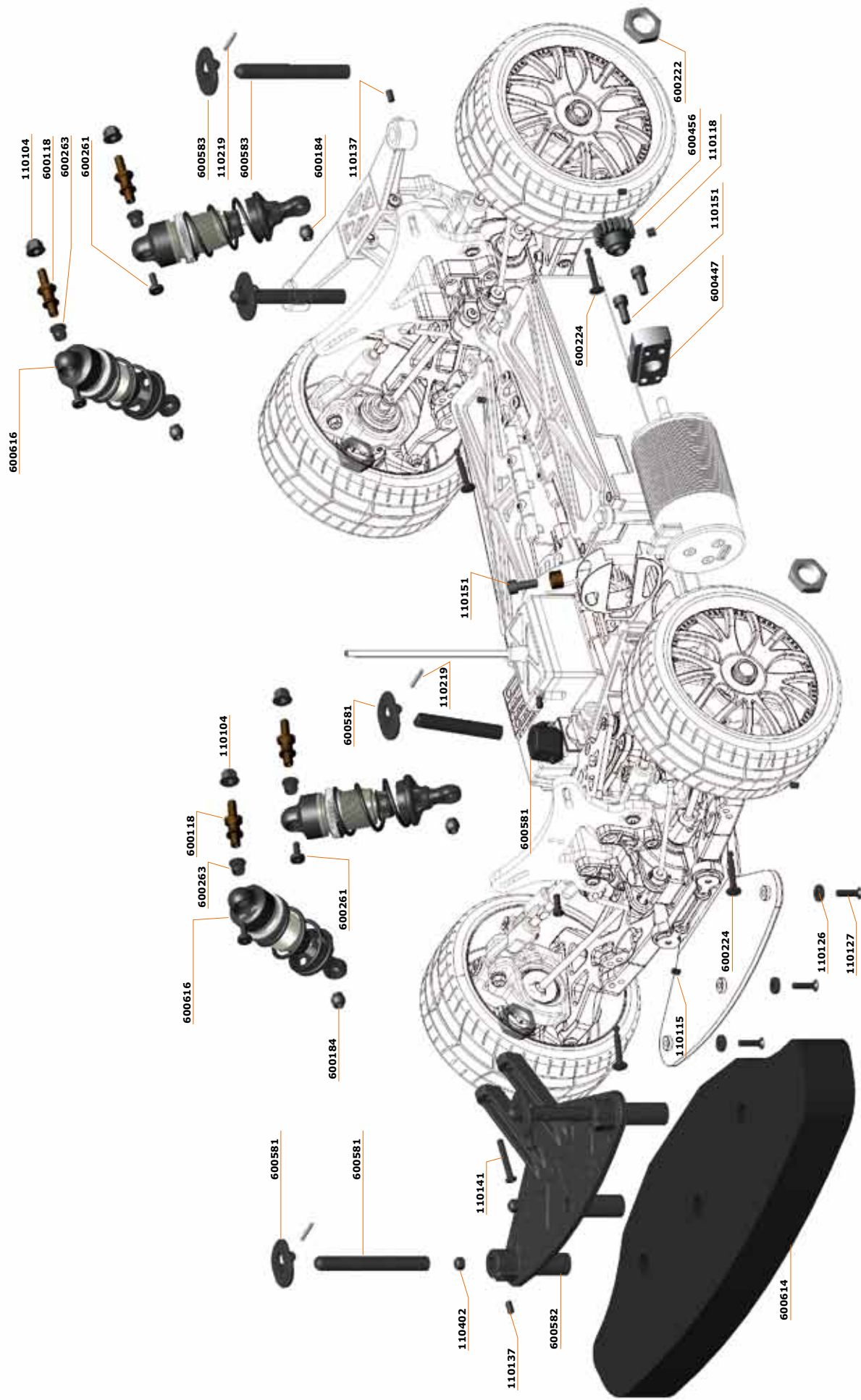


# SHOCK ASSEMBLY













# Cobra **FT**<sub>e</sub>



[www.serpent.com](http://www.serpent.com)  
[info@serpent.com](mailto:info@serpent.com)

